

LOKTHOR

JTC4250



The Force of Thunder in Hand

Contents	04
Inhalt	12
Contenu	20
Índice	28
目录	36

Contents

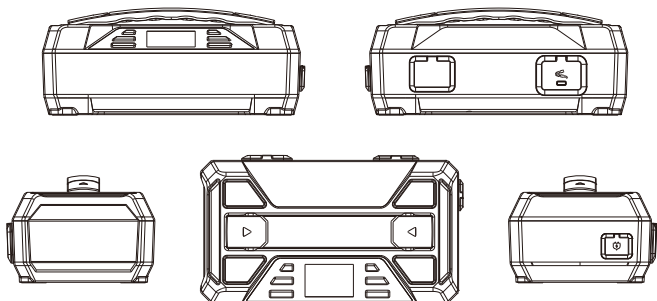
Safety Instructions	04
Product Overview	05
Button and Screen Descriptions	06
Operation Process Instructions	08
1. How to Power Up Lokithor	08
2. How to use the jump-start function	08
2.1 12V Auto Start	08
2.2 Forced Start	08
2.3 Clamps Connection Status Display	09
3. How to use the battery-charge function	09
3.1 Standard Charging Mode	09
3.2 Forced Charging Mode	09
3.3 Maintenance Mode	09
3.4 Power Supply Mode	09
4. How to use the battery-test function	09
4.1 Battery Test	09
4.2 Cranking Test	09
4.3 Charging Test	09
5. How to use LED function	10
6. How to recharge Lokithor	01
7. How to connect to the APP via Bluetooth	10
8. Language Settings	10
9. Error Code Display Description	10
Warnings	11
Recycling Information	11
Warranty Policy	11

Safety Instructions

Please read the following instructions carefully before using your new Lokithor multi-function vehicle jump starter (hereinafter referred to as Lokithor):

1. Please follow all instructions in this manual for safe Lokithor operation. Failure to follow all instructions in this manual or improper use of Lokithor products may result in property damage and or personal injury
2. Lokithor is designed for starting 12V engines and is not designed for starting vehicles exceeding product specifications in system voltage or engine displacement.
3. Warning when using FORCED START mode all Lokithor safety features are disabled.
4. Do not allow the clamps to short together or touch when using FORCED START mode. Please read and understand all safety procedures before using Forced Start mode.
5. For best longevity of your Lokithor product we recommend a quarterly maintenance program. Please fully charge your new Lokithor product upon receipt. We recommend checking the charge level every 3 months and recharging if necessary. Also you may use the power bank feature and or the flashlight during this time to discharge the battery to approximately 50% and then recharge Lokithor to full before placing it back in your vehicle. This good practice will help ensure you get the best product lifespan and that Lokithor is always ready for the next emergency.
6. Do not use a damaged Lokithor. If your device has had impact damage, has been hit, dropped or exposed to other physical damage do not use it. Using a damaged Lokithor may cause a dangerous situation.
7. Do not attempt to use Lokithor while it is charging.
8. Please do not disassemble Lokithor. There are no user serviceable parts inside.
9. Use extra caution when working with vehicle batteries and Jumpstarters. Do not drop metal objects on battery terminals while using Lokithor. Any metal object can cause a short, leading to a dangerous situation that may result in equipment damage and or explosion.
10. When starting a vehicle, ensure that the positive and negative cable clamps have a good solid connection to the battery terminals.
11. Do not allow sparks and or flames to contact Lokithor or the vehicle engine. Always connect your Lokithor to the vehicle battery before attempting to power it on or Jumpstart a vehicle
12. To prevent short-circuit and sparks from damaging the jump starter DO NOT connect the positive and negative cable clamps together and DO NOT connect clamps to the same piece of metal(short circuit).
13. Lokithor is not intended for use by children. Do not leave the jump starter in a place where children can easily reach it.
14. Do not expose Lokithor to rain or snow.
15. Do not leave the Lokithor in extreme environments for long periods of time (extreme heat above:>131°F(55°C),or extreme cold below:<14F(-10°C),humidity;>80% humidity).
16. When not using Lokithor please store it in a cool dry place.
17. Please ensure a good maintenance program for your Lokithor: Charge it in a timely fashion after being used, or when it is in a discharged condition. Failure to do so may cause an over-discharge condition leading to low internal battery voltage or an out of power condition. Long periods of time with low or no power may cause permanent product failure.

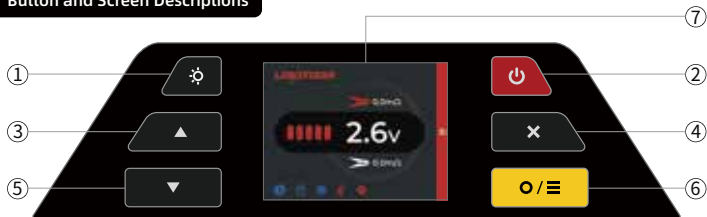
Product Overview



Specifications

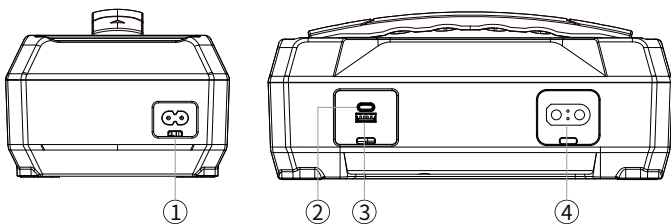
Model:	JTC4250	Battery Charger	
Jump Starter		Input AC:	100-240V ~ 50/60HZ 2A Max
Nominal Voltage:	12.8V	Charging Output:	6V (6A), 12V ~ 15V (6A) Max 90W
Capacity:	7000mAh 89.6Wh (LiFePO4)	Battery Chemistries:	Lead-Acid and LiFePO4
Starting Voltage:	12V	Battery Types:	6V, 12V
Starting Current:	3000A	Supported vehicle battery capacity:	Up to 120Ah
Peak Current:	4250A	Operating Temperature:	-10°C to 45°C (14°F to 113°F)
Charging Temperature:	0°C to 45°C (32°F to 113°F)	Low-Voltage Detection:	1V
Storage Temperature:	-20°C to 50°C (-4°F to 122°F)	IP Rating:	IP65 (w/ Ports closed)
Operation Temperature:	-20°C to 60°C (-4°F to 140°F)	Other	
Service Life:	>2000 cycles (in good condition)	USB - A Output:	5V / 3A, 9V / 2A, 12V / 1.5A
12V Battery Tester		USB - C Input & Output:	5-20V / 3A (PD 60W)
Cranking Test:	Supported	BX80 Output (Under power supply mode):	5-20V 0-6A, 90W Max (AC Power)
Charging Test:	Supported		5-20V 0-5A, 60W Max (Battery Power)
Battery Test:	Supported	LED Lumen:	300 lumens
Bluetooth Connection:	Supported	Dimensions (L x W x H):	264*146.2*109.5mm (10.39*5.76*4.31inch)

Button and Screen Descriptions



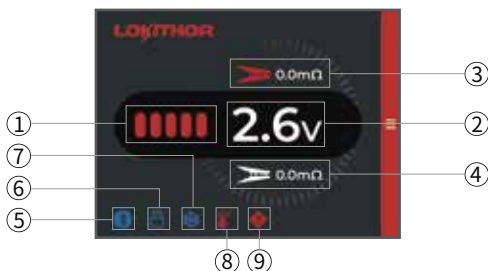
No	Function Description	No	Function Description
1	Light Mode Button	2	Power Button (Press to turn on & off)
3	Up	4	Cancel Button
5	Down	6	Confirm Button
7	Display		

Input / Output Instructions



No	Functional Description	No	Functional Description
1	AC input port	2	USB-C input & output port
3	USB-A output port	4	BX80 Jump-start / Battery charge / Battery test output port

Interface Layout



No	Function Description	No	Function Description
1	Battery Indicator	2	Voltage Indicator
3	Positive Clamp Indicator (Green: Good connection Red: Poor connection)	4	Negative Clamp Indicator (Green: Good connection Red: Poor connection)
5	Bluetooth Indicator	6	Type C Indicator
7	Low Temperature Indicator	8	High Temperature Indicator
9	Error Indicator		

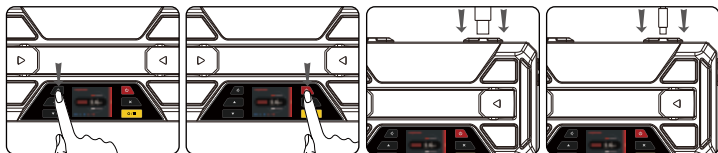
Packing List

Physical Product	Manual	USB - A To USB - C Wire	USB - C TO USB - C Wire
BX80 Clamp (Used for Jump starter & battery charge & battery test)		Power Cable (The plug type varies by country or region)	

1. How to Power Up Lokithor

There are four ways to power up the device:

1. Short press the "Light Mode Button" for 1 second
2. Short press the "Power Button" for 1 second
3. When the AC port is is connected to the power supply
4. When the TYPE C port is connected to a power supply



2. Using the Jump-Start Function

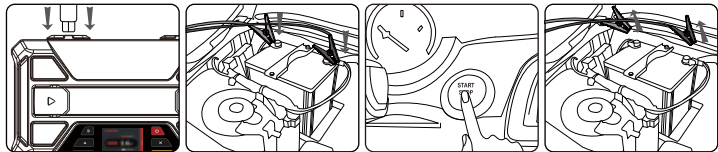
(When connected to AC power, the Jump-Start function cannot be used.)

2.1 12V Auto Start

- 2.1.1 Short press the "Light light Button" or "Power Button" to power up the device
- 2.1.2 Connect the Jump starter clamp to the BX80 port;
- 2.1.3 Connect the positive and negative clamps to the corresponding terminals on the vehicle battery, ensuring a secure connection;
- 2.1.4 Press the "Confirm" button to enter the mode selection interface, select the jump start mode, then press the "Confirm" button to choose "Normal Jump Start", the screen will display the real-time vehicle battery. You can press "Confirm" again to enter the jump starter state to start the vehicle;
- 2.1.5 If the vehicle starts successfully, short press the "confirm button" to exit the start function, and then disconnect the clamps.

In most cases, the vehicle will be able to start immediately after the jump starter has been connected. If the vehicle does not start immediately, please check the contact position of the jump clamps and retry. Do not attempt more than five times within 15 minutes.

Please remove the jump-start clamps from the vehicle battery immediately after you finish starting. Press the "Power button" for 2 seconds to shut down the jump starter. If there are no operations for 60 seconds, the product will automatically shut down;



2.2 Forced Start

(Safety Reminder: In this mode, the anti-spark function and some safety protection mechanisms are disabled. Please use with caution and avoid reversing the positive and negative terminals, as this can cause a short circuit accident. Always review the operating instructions before use.)

When the 12V auto start function fails, you can use the forced start function by referring to the operational guidelines in the manual. Please strictly follow the steps below to use the forced start; otherwise, this function may not work properly.

- Step 1: Short press the "LED Light Button" or the "Power Button" to power up the device.
- Step 2: Insert the clamp into the BX80 port of the product.
- Step 3: First, connect the positive terminal of the clamp to the positive terminal of the vehicle battery.
- Step 4: Press the "Confirm" button to enter the mode selection interface, and select the start mode. Then press the "Confirm" button again, choose the "Forced Start" mode, and press the "Confirm" button to enter the forced start mode. Ensure that the positive and negative terminals are not short-circuited during this step.
- Step 5: Connect the negative terminal of the clamp to the negative terminal of the vehicle battery and ensure a good connection. At this point, the screen will display the voltage of the LOKITHOR in parallel with the vehicle battery, allowing you to proceed with the car start operation. Short press the "Cancel button" to exit.

2.3 Battery Clamps Connection Status Display (ConnectMax)

When the clamp is connected to the vehicle battery, the display will show the internal resistance value between the clamp and the vehicle battery. If the internal resistance result is displayed in green, it indicates a good connection. If the internal resistance result is displayed in red, it indicates a poor connection. Please readjust the connection between the clamp and the vehicle battery.

3. How to use the battery-charge function

This mode allows charging, reconditioning, and DC voltage output for different types of vehicle batteries.

3.1 Standard Charging Mode

Connect the AC charging cable to Lokithor, and power up the product, select "Charging Mode", enter "Standard Charging mode", and choose one of five battery types: "12V Regular, 12V AGM, 12V Lithium Iron, 6V Regular, 6V AGM". After confirming the battery type, set the charging current, then press the "Confirm button" to enter Standard charging mode.

This mode only charges batteries with a voltage above 1V. If the battery voltage is below 1V, use the "Forced Charging mode".

3.2 Forced Charging Mode

(Safety Reminder: In this mode, the anti-spark function and some safety protection mechanisms are disabled. Please use with caution and avoid reversing the positive and negative terminals, as this can cause a short circuit accident. Always review the operating instructions before use.)

Connect the AC charging cable to the product, wake up the product, press the "Confirm button" to enter the mode selection interface, choose "Charging Mode", then select "Forced Charging mode" to enter forced charging mode. This mode only charges batteries with a voltage below 1V and will automatically exit after 5 minutes. If the battery voltage is above 1V, use the "Standard Charging mode".

3.3 Maintenance Mode

Connect the AC charging cable to the product, wake up the product, press the "Confirm button" to enter the mode selection interface, choose "Charging Mode", then select "Maintenance Mode" to enter the Maintenance mode. In repair mode, the product first charges the battery, then performs a continuous 4-hour PULS Maintenance after full charge. This mode only maintains batteries with a voltage above 1V. If the battery voltage is below 1V, please use 'Forced Charging' to charge the battery.

3.4 Power Supply Mode

(Safety Reminder: In this mode, the anti-spark function and some safety protection mechanisms are disabled. Please use with caution and avoid reversing the positive and negative terminals, as this can cause a short circuit accident. Always review the operating instructions before use.)

Method One (AC mode):

Connect the AC charging cable to the product, power up the product, press the "Confirm" button to enter the mode selection interface, choose "Charging Mode", then select "Digital Power Mode" to enter the power mode.

In this mode, the output voltage can be adjusted from 5V to 20V, current up to 6A (90W MAX).

In this mode, if the AC power suddenly drops, the product will automatically switch to Method Two (DC mode), while the output voltage remains the same as before the AC power drop, with power changing to 60W MAX.

Method Two (without AC input, i.e., DC mode):

Short press the "LED Light Button" or "Power Button" to power up the product, press the "Confirm" button to enter the mode selection interface, choose "Charging Mode", then select "Power Mode" to enter the power mode.

In this mode, the output voltage can be adjusted from 5V to 20V, current up to 5A (60W MAX).

4. How to use the battery-test function

This mode allows testing the state of vehicle batteries.

4.1 Battery Test

Power on Lokithor, press the "Confirm button" to enter the mode selection interface, choose "Battery Test Mode", press the "Confirm button", then enter "Battery Test" mode. First, choose the battery type: "Regular Lead-Acid, AGM Flat Plate, AGM Spiral, GEL, EFB". Then choose the standard: "CCA, DIN, IEC, EN, SAE". Set the parameters (refer to the battery label for details), and press the "Confirm" button to start the battery test.

4.2 Cranking Test

Power on Lokithor, press the "Confirm button" to enter the mode selection interface, choose "Battery Test Mode", press the "Confirm button", then enter "Cranking Test" mode.

4.3 Charging Test

Power on Lokithor, press the "Confirm button" to enter the mode selection interface, choose "Battery Test Mode", press the "Confirm button", then enter "Charging Test" mode.

5. How to use LED Function



1. Long press the "LED Light Button" for 1 second to turn on the LED light;
2. Cycle through modes by short pressing the "LED Light Button": 100%/50%/10% steady on, SOS, Strobe, Off; Press and hold the "LED Light Button" for 2 seconds to turn off the LED light;

6. How to Charge Lokithor

Tools: Power adapter (PD2.0/PD3.0 protocol power adapter)

USB-C to USB-C cable

USB-A to USB-C cable

AC charging cable

Connect one end of the USB cable to the power adapter and the other end to the product's USB-C charging port. The battery charge indicator will indicate that the product is charging.

Connect the product to the mains using the AC charging cable. The screen's running light will illuminate, indicating normal charging.

If the product has low or no power, charge it promptly to avoid low battery voltage.

Do not leave Lokithor in a discharged condition for extended periods. This may cause a condition that will prevent Lokithor from charging.

7. How to connect to the APP via Bluetooth



1. Please scan the QR code below to download the "Bat Test" application.
2. Open the "Bat Test" application, select the device section, and connect the product. Once successfully connected, you can view the diagnostic data. If you need to print the test data, please export the file first.



8. Language Settings

You can choose from five languages: Chinese, English, French, German, Spanish.

9. Error Codes Display

NO.	ERROR CODE	Illustration	Reason/Solution
1	140	Charging Reminder	Charge Lokithor
2	 150	Over Temperature Protection	Wait for the product to cool down
3	 160	Low Temperature Protection	Use the product in a suitable temperature environment
4	200	Communication Error	Restart the device
5	430	External Battery Voltage Exceeds Device Voltage	① Check if the car battery is a 12V battery ② Charge Lokithor
6	440	Clamps Reversed	Connect the battery correctly
7	450	Jump Start Failure	After confirming the correct connection, please refer to the manual to use the forced start.
8	320	Overload Protection/ Short Circuit Protection	Check the load connection to ensure it is properly connected and used within the rated power.

Warnings

* Do not disassemble the product as it contains no user-serviceable parts.

1. Lokithor can start a vehicle when it's battery capacity is over 50%. If the state of charge is too low, Lokithor may not be able to start your vehicle.
2. It is normal for the device to get slightly warm after use.
3. To maximize battery life, charge the device at least once every three months.
4. If you notice leaks or unusual smells, stop using the device and contact us immediately.
5. Do not connect the red clamp to the black clamp. This is a short circuit condition and is dangerous.
6. Use only Lokithor brand jump starter clamps. We can not ensure safety with use of any other device or clamp connected to Lokithor.
7. Do not expose Lokithor to fire or water as this has the potential to create a dangerous situation.
8. Do not expose Lokithor to temperatures above 60°C or leave it in direct sunlight. Store it in a cool, dry place.
9. Do not disassemble or modify Lokithor in any way.
10. Do not drop, or crush Lokithor as this could cause fire and or explosion.
11. Do not use chemicals or solvents to clean Lokithor.
12. This product is not intended for use by children. Keep out of reach of and away from children.

Recycling Treatment

1. Do not dispose of this product with regular household waste when it reaches the end of its life. This could harm the environment or human health.
2. Keep it separate from other waste and recycle it responsibly to promote sustainable resource use.

Warranty Policy

We offer a limited warranty on the product 12 months from the date of purchase on any defects in materials and workmanship. Conditions are as follows:

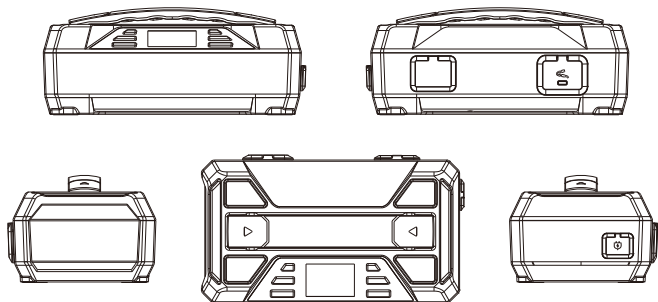
1. The buyer must provide proof of purchase (details including date and store on the order page/invoice, etc.)
2. This warranty does not cover damage or malfunction caused by normal wear and tear, physical damage to the product, improper installation, misuse, abuse, modification or unauthorized repairs by third parties.
3. The manufacturer shall not be liable for any loss or damage caused in transit by a third party or by force majeure.
4. The manufacturer is not responsible for any incidental or consequential damages arising from the use or misuse of this product.
5. All warranty claims are limited to the repair or replacement of defective products and are at our sole discretion.
6. If we repair or replace the product, the product will be covered for the remainder of the original warranty period. We reserve the right to repair or replace refurbished equipment, products or accessories which may involve the use of the same functions.
7. Consumable parts, such as batteries, are not covered by the warranty.
8. The manufacturer reserves the right to change and interpret these terms and conditions of the warranty at its own discretion.

Inhalt

Sicherheitshinweis	13
Produktübersicht	14
Bedienfeld und Anzeigefeld	15
Gebrauchsanweisung	17
1. Einschalten des Geräts	17
2. Nutzung der Starthilfe-Funktion	17
2.1 12V Auto Starten	17
2.2 Zwangsstart	17
2.3 Statusanzeige der Klemmverbindung	18
3. Ladefunktion an die Auto-Batterie	18
3.1 Standard-Lade-Modus	18
3.2 Zwangslade-Modus	18
3.3 Instandhaltungsmodus	18
3.4 Stromversorgungsmodus	18
4. Nutzung des Batterie-Testers	18
4.1 Batterietest	19
4.2 Kfz Kurbeln-Test	19
4.3 Ladetest	19
5. LED Licht verwenden	19
6. Aufladen des Geräts	19
7. APP mit Bluetooth des Geräts koppeln und herstellen einer Verbindung	19
8. Sprache einstellen	19
9. Erläuterung der Fehlercode-Anzeige	19
Sicherheitshinweise	20
Entsorgung des Geräts	20
Garantiebedingungen	20

Bitte lesen Sie die folgenden Anweisungen sorgfältig durch, bevor Sie das multifunktionale Starthilfegerät JTC4250 verwenden:

1. Bitte befolgen Sie die Anweisungen genau, da die Nichtbeachtung zu schweren Sicherheitsunfällen führen kann.
2. Das Starthilfegerät kann für den Motorstart mit 12 V verwendet werden. Und kann keine Fahrzeuge mit mehr als dem angegebenen Hubraum oder mehr als der angegebenen Spannung starten.
3. Erzwungenen-Startmodus: Einige der Sicherheitsfunktion in diesem Modus sind vorübergehend außer Betrieb gesetzt. Müssen mit Vorsicht verwendet werden. Achten Sie darauf, dass die Plus- und Minuspole nicht kurzgeschlossen werden darf. Es besteht akute Brand- und Verletzungsgefahr, sowie das Risiko eines Kurzschlusses. Dieser kann erhebliche Schäden am Fahrzeug und an dem Gerät verursachen.
4. Um die Lebensdauer des internen Akkus des Produkts zu optimieren. Laden Sie bitte das Produkt auf, wenn Sie das Gerät erhalten haben. Und laden/entladen Sie das Gerät alle drei Monate, um sicherzustellen, dass die Starterleistung für den nächsten Gebrauch in gutem Zustand ist.
5. Verwenden Sie das Starthilfegerät nicht, die übermäßigen Stößen ausgesetzt war, fallen gelassen oder anderweitig beschädigt wurde.
6. Starten Sie das Fahrzeug nicht mit dem Starthilfegerät, während der Aufladung des Geräts.
7. Im Fall technischen Problem bei dem Gerät vorkommt. Zerlegen Sie das Starthilfegerät nicht ohne Genehmigung des Herstellers. Wenden Sie sich an professionelles Wartungspersonal für die Wartung bez. an Ihren Händler.
8. Während des Betriebs ist besondere Vorsicht geboten, es zu vermeiden, dass Metallgegenstände auf den beide Anschlüsse (+ und - Pol) in Kontakt zu kommen. (Dieser kann leicht einen Kurzschluss verursache, und kann zu Gerätschäden und Explosionen dazu führen.
9. Wenn das Auto gezündet wird, stellen Sie sicher, dass die Pol Zange gutem Kontakt mit den Plus- und Minuspolen der Batterie stehen.
10. Achten Sie darauf, dass Funken oder Flammen nicht in die Nähe der Starthilfegeräts und des Motors gelangen. Schließen Sie zuerst das Gerät an die Fahrzeugbatterie, bevor Sie ein Fahrzeug versucht zu starten.
11. Es ist verboten, den Plus- und Minuspol der Pol Zange zusammenzuklammern oder dasselbe Metall zu berühren.
12. Platzieren Sie die Starthilfegerät nicht in Reichweite von Kindern.
13. Setzen Sie nicht die Starthilfegerät weder im Regen noch Schnee aus.
14. Lassen Sie das Gerät nicht über einen längeren Zeitraum in extremen Umgebungen liegen (z. B. hohe Temperatur: >131 °F (55°C),, extreme Kälte: <14 °F(-10°C), Luftfeuchtigkeit: >80 % Luftfeuchtigkeit);
15. Lagern Sie das Starthilfegerät an einem kühlen, trockenen Ort und ergreifen Sie gegebenenfalls Schutzmaßnahmen.
16. Wenn das Produkt nicht mehr mit Strom versorgt wird oder in einem schwachen Batteriezu-stand befindet, laden Sie es bitte rechtzeitig auf, um zu verhindern, dass die Batterie Unterspannung liegt. Eine langfristige Nullstromzustand kann dazu führen, dass das Produkt nicht aufgeladen werden kann.



Spezifikationen

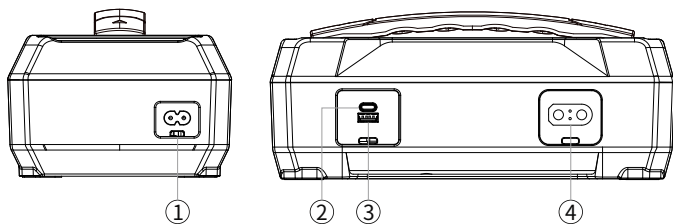
Modell:	JTC4250	Batterieladegerät	
Starthilfe		Eingang AC:	100-240V ~ 50/60HZ 2A Max
Nennspannung:	12.8V	Ladeausgang:	6V (6A), 12V ~ 15V (6A) Max 90W
Kapazität:	7000mAh 89.6Wh (LiFePO4)	Batterietechnologien:	Lead-Acid and LiFePO4
Spannung:	12V	Batterietyp:	6V, 12V
Startstrom:	3000A	Unterstützte Fahrzeug batteriekapazität:	Up to 120Ah
Spitzstrom:	4250A	Betriebstemperatur des Ladegeräts:	-10°C to 45°C (14°F to 113°F)
"Lade- Temperatur:"	0°C to 45°C (32°F to 113°F)	Niederspannung- serkennung:	1V
"Lagerungs- Temperatur:"	-20°C to 50°C (-4°F to 122°F)	IP-Klasse:	IP65 (w/ Ports closed)
Arbeitstemperatur:	-20°C to 60°C (-4°F to 140°F)	Andere	
Lebensdauer:	>2000 cycles (in good condition)	USB - A Ausgang:	5V / 3A, 9V / 2A, 12V / 1.5A
12V-Batterietester		USB - C Eingang & Ausgang:	5-20V / 3A (PD 60W)
Anlassprüfung:	Unterstützt	BX80 Ausgang (Unter Stromver- sorgungsmodus):	5-20V 0-6A, 90W Max (Netzstrom)
Ladepfung:	Unterstützt		5-20V 0-5A, 60W Max (Battery Power)
Batterietest:	Unterstützt	LED Licht:	300 lumens
Bluetooth- Verbindung:	Unterstützt	Abmessungen (L x W x H):	264*146,2*109,5mm (10.39*5.76*4.31Zoll)

Bedienfeld



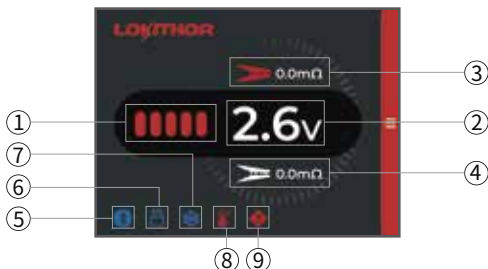
No	Funktionsbeschreibung	No	Funktionsbeschreibung
1	Lichtmodus-Taste	2	Ein/Aus-Taste
3	Nach Oben	4	Abbrechen-Taste
5	Nach unten	6	Bestätigen-Taste
7	Anzeigefeld		

Eingabe / Ausgabe Anweisungen



No	Funktionsbeschreibung	No	Funktionsbeschreibung
1	AC-Eingangsport	2	USB-C Eingangs- & Ausgangsport
3	USB-A Ausgangsport	4	BX80 Starthilfe- / Batterielade- / Batterietestausgangsport

Aufbau der Schnittstelle



No	Funktionsbeschreibung	No	Funktionsbeschreibung
1	Batteriestandanzeige	2	Spannungsanzeige
3	Klemmanzeige von + Pol Grün: Gute Verbindung Rot: Schlechte Verbindung	4	Klemmanzeige von - Pol Grün: Gute Verbindung Rot: Schlechte Verbindung
5	Bluetooth Indikator	6	Type C Indikator
7	Anzeige für niedrige Temperatur	8	Anzeige für hohe Temperatur
9	Fehlerindikator		

Lieferumfang

Das Gerät	Bedienungsanleitung	USB - A Zu USB - C Wire	USB - C Zu USB - C Wire
BX80 Klemme (Verwendet für Starthilfe, Batterieladung und Batterietest)		Netzkaabel (Der Steckertyp variiert je nach Land oder Region)	

1. Das Gerät einschalten

Es gibt vier Möglichkeiten, um das Gerät einzuschalten:

1. Drücken Sie kurz die „Lichtmodus-Taste“ für 1 Sekunde
2. Drücken Sie kurz die „Power-Taste“ für 1 Sekunde
3. Wenn AC-Anschluß mit dem Netzteil angeschlossen wurde
4. Wenn Anschluß-C mit Netzteil verbunden sind

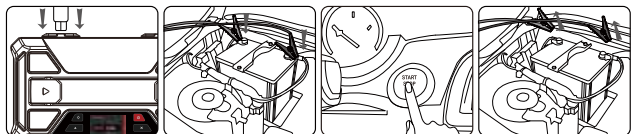


2. So verwenden Sie die Starthilfe-Funktion

(Beim Anschluss an das Wechselstromnetz kann die Startfunktion nicht verwendet werden.)

2.1 12V Auto Starten

- 2.1.1 Drücken Sie kurz die Licht-Taste oder Power Taste, um das Gerät einzuschalten.
- 2.1.2 Die Starterkabel an BX80-Anschluß anschließen
- 2.1.3 Schließen Sie die Plus- und Minusklemmen an die entsprechenden Pole der Fahrzeugbatterie. Und stellen Sie sich sicher, dass die Verbindungen gut sind.
- 2.1.4 Drücken Sie die Taste „Bestätigen“, um die Schnittstelle für die Modusauswahl aufzurufen.
 - Wählen Sie den Starthilfemodus aus.
 - Drücken Sie dann die Taste „Bestätigen“, um normale Starten auszuwählen.
 - Der Bildschirm zeigt die Echtzeit-Fahrzeuggatterie an.
 - Und drücken Sie erneut „Bestätigen“, um den Starthilfemodus aufzurufen, und das Auto zu starten.
- 2.1.5 Wenn das Fahrzeug erfolgreich gestartet wird, drücken Sie kurz die Ein-/Aus-Taste, um die Startfunktion zu beenden, und trennen Sie dann die Klemmen. In den meisten Fällen schaltet sich das Fahrzeug sofort bei ersten Startvorgang erfolgreich ein. Wenn der Start fehlschlägt, überprüfen Sie die Kontaktposition der Klemmen. Wiederholen Sie den Vorgang nicht mehr als fünf aufeinanderfolgenden Starts in 15 Minuten.
- 2.1.6 Entfernen Sie bitte die Klemmen, nachdem das Produkt verwendet wurde.
 - Drücken Sie ca.2Sekunde lang auf das Ein-/und Ausschalte-Taste, um das Gerät auszuschalten.
 - Wenn das Gerät 60 Sekunden lang nicht in Betrieb, das Gerät schaltet automatisch aus.



2.2 Zwangsstart

(Sicherheitshinweis: Einige der Sicherheitsfunktion in diesem Modus sind vorübergehend außer Betrieb gesetzt. Müssen mit Vorsicht verwendet werden. Achten Sie darauf, dass die Plus- und Minuspole nicht kurzgeschlossen werden darf. Es besteht akute Brand- und Verletzungsgefahr, sowie das Risiko eines Kurzschlusses. Dieser kann erhebliche Schäden am Fahrzeug und an dem Gerät verursachen.)

Wenn die 12V-Autostart-Funktion fehlschlägt, können Sie die Zwangsstart-Funktion verwenden, indem Sie sich auf die Betriebsanweisungen im Handbuch beziehen. Bitte befolgen Sie strikt die folgenden Schritte, um die Zwangsstart-Funktion zu verwenden; andernfalls funktioniert diese Funktion möglicherweise nicht ordnungsgemäß.

- Schritt 1: Drücken Sie kurz die „LED-Licht-Taste“ oder die „Ein-/Aus-Taste“, um das Gerät einzuschalten.
- Schritt 2: Stecken Sie die Klemme in den BX80-Anschluss des Produkts.
- Schritt 3: Verbinden Sie zuerst den positiven Pol der Klemme mit dem positiven Pol der Fahrzeugbatterie.
- Schritt 4: Drücken Sie die „Bestätigen“-Taste, um die Modusauswahloberfläche aufzurufen, und wählen Sie den Startmodus. Drücken Sie dann erneut die „Bestätigen“-Taste, wählen Sie den „Zwangsstart“-Modus und drücken Sie die „Bestätigen“-Taste, um den Zwangsstart-Modus zu aktivieren. Stellen Sie sicher, dass die positiven und negativen Pole während dieses Schritts nicht kurzgeschlossen werden.
- Schritt 5: Verbinden Sie den negativen Pol der Klemme mit dem negativen Pol der Fahrzeugbatterie und stellen Sie eine gute Verbindung sicher. An diesem Punkt zeigt der Bildschirm die Spannung des LOKITHOR parallel zur Fahrzeugbatterie an, wodurch Sie den Fahrzeugstartvorgang durchführen können. Drücken Sie kurz die „Abbrechen“-Taste, um zu beenden.

2.3 Verbindungsstatus der Batterieklemmenanzeige (ConnectMax)

Wenn die Klemme mit der Fahrzeugbatterie verbunden ist, zeigt das Display den Innenwiderstandswert zwischen der Klemme und der Fahrzeugbatterie an. Wenn das Innenwiderstandsergebnis grün angezeigt wird, bedeutet dies eine gute Verbindung. Wenn das Innenwiderstandsergebnis rot angezeigt wird, bedeutet dies eine schlechte Verbindung. Bitte passen Sie die Verbindung zwischen der Klemme und der Fahrzeugbatterie erneut an.

3. Batterieladefunktion

This mode allows charging, repairing, and DC voltage output for different types of vehicle batteries.

Dieser Modus ermöglicht das Laden, Reparieren und das Output für Gleichspannung verschiedene Arten von Fahrzeugbatterien.

3.1 Standard-Laden

- Schließen Sie das AC-Ladekabel an das Gerät an.
- Das Gerät einschalten
- Wählen Sie das „Lade Modus“
- „Standard-Lademodus“ aufrufen
- Wählen Sie einen von fünf Batterietypen: "12V regulär, 12V AGM, 12V Lithium Eisen, 6V regulär, 6V AGM".
- Nachdem Sie den Akku-Typ bestätigt haben, stellen Sie den Ladestrom ein und drücken Sie dann die „Bestätigungstaste“, um in den Standardlademodus zu gelangen.
- In diesem Modus werden nur Batterien mit einer Spannung von über 1V geladen. Wenn die Batteriespannung unter 1V liegt, verwenden Sie den „Zwangslademodus“.

3.2 Zwangsaufladung

(Sicherheitshinweis: Einige der Sicherheitsfunktion in diesem Modus sind vorübergehend außer Betrieb gesetzt. Müssen mit Vorsicht verwendet werden. Achten Sie darauf, dass die Plus- und Minuspol nicht kurzgeschlossen werden darf. Es besteht akute Brand- und Verletzungsgefahr, sowie das Risiko eines Kurzschlusses. Dieser kann erhebliche Schäden am Fahrzeug und an dem Gerät verursachen.)

- Schließen Sie das AC-Ladekabel an das Gerät an.
- Das Gerät einschalten
- Drücken Sie die „Bestätigungstaste“, um die Auswahl-Modus zu öffnen.
- Wählen Sie "Lademodus"
- Dann wählen Sie „Zwangslademodus“
- Dieser Modus lädt nur Akkus mit einer Spannung unter 1V und wird nach 5 Minuten automatisch beendet. Wenn die Batteriespannung über 1V liegt, verwenden Sie den „Standard-Lademodus“.

3.3 Wartungsmodus

- Schließen Sie das AC-Ladekabel an das Gerät an.
- Das Gerät einschalten
- Drücken Sie die „Bestätigungstaste“, um die Auswahl-Modus zu öffnen.
- Wählen Sie dann „Wartungsmodus“, Wartungsmodus wird aufzurufen
- Im Wartungsmodus lädt das Produkt zunächst die Batterie auf und führt dann nach vollständiger Aufladung eine kontinuierliche 4-stündige PULS-Wartung durch.
- Dieser Modus wartet nur Batterien mit einer Spannung über 1V. Wenn die Batteriespannung unter 1V liegt, verwenden Sie bitte die 'Zwangsaufladung', um die Batterie aufzuladen.

3.4 Stromversorgungsmodus

(Sicherheitshinweis: Einige der Sicherheitsfunktion in diesem Modus sind vorübergehend außer Betrieb gesetzt. Müssen mit Vorsicht verwendet werden. Achten Sie darauf, dass die Plus- und Minuspol nicht kurzgeschlossen werden darf. Es besteht akute Brand- und Verletzungsgefahr, sowie das Risiko eines Kurzschlusses. Dieser kann erhebliche Schäden am Fahrzeug und an dem Gerät verursachen.)

Methode Eins (AC-Modus):

- Schließen Sie das AC-Ladekabel an das Gerät an.
- Das Gerät einschalten
- Drücken Sie die „Bestätigungstaste“, um die Auswahl-Modus zu öffnen.
- Wählen Sie „Lademodus“
- Dann wählen Sie „Digital Stromversorgungsmodus“, um in den Stromversorgungsmodus zu gelangen.
- In diesem Modus kann die Ausgangsspannung von 5V bis 20V und der Strom bis zu 6A (90W MAX) eingestellt werden.
- Wenn in diesem Modus die Wechselstromversorgung plötzlich abfällt, schaltet das Gerät automatisch auf die zweite Methode (Gleichstrommodus) um. Die Ausgangsspannung ist gleichbleibend während der Wechselstrom abfällt. Die Leistung ändert sich auf max. 60 Watt.

Methode Zwei (ohne AC-Eingang, d.h. DC-Modus):

- Drücken Sie kurz die „LED-Licht-Taste“ oder die „Power-Taste“, um das Gerät einzuschalten.
- Drücken Sie die „Bestätigungstaste“, um die Schnittstelle für die Auswahlmodus zu öffnen.
- Wählen Sie Lade-Modus
- Dann wählen Sie Stromversorgungsmodus.
- In diesem Modus kann die Ausgangsspannung von 5V bis 20V und der Strom bis zu 5A (max. 60Watt) eingestellt werden.

4. Batterie-Test

In diesem Modus kann der Zustand der Fahrzeugbatterien geprüft werden.

4.1 Battery Testen

- Drücken Sie kurz die „LED-Licht-Taste“ oder die „Power-Taste“, um das Gerät einzuschalten.
- Drücken Sie die „Bestätigungstaste“, um die Schnittstelle für die Auswahlmodus zu öffnen.
- Wählen Sie „Batterietest“
- Drücken Sie die Taste „Bestätigen“. Dann „Batterietest“ Modus wird aufgerufen
- Wählen Sie zunächst den Batterietyp: „Normale Blei-Säure-Batterie, AGM-Flachbatterie, AGM-Spiralbatterie, GEL-Batterie, EFB-Batterie“.
- Wählen Sie dann aus: „CCA, DIN, IEC, EN, SAE“
- Stellen Sie die Parameter ein (Einzelheiten finden Sie auf dem Batterieetikett), und drücken Sie die Taste „Bestätigen“, um den Batterietest zu starten.

4.2 KFZ Kurbeln-Test(Craking Test)

- Drücken Sie kurz die „LED-Licht-Taste“ oder die „Power-Taste“, um das Gerät einzuschalten.
- Drücken Sie die „Bestätigungstaste“, um die Schnittstelle für die Auswahlmodus zu öffnen.
- Wählen Sie „Kurbeln-Test“, (möglicherweise kann auch Cranking-Test stehen). Das Cranking-Testmodus wird gestartet.

4.3 Lade-Test

- Drücken Sie kurz die „LED-Licht-Taste“ oder die „Power-Taste“, um das Gerät einzuschalten.
 - Drücken Sie die „Bestätigungstaste“, um die Schnittstelle für die Auswahlmodus zu öffnen.
 - Wählen Sie „Batterie Lade-Test“ und Drücken Sie die „Bestätigungstaste“.
- Lade-Test wird gestartet.

5. Nutzung von LED



1. Halten Sie die Taste "Licht" eine Sekunde lang gedrückt, um das LED-Licht einzuschalten.
2. Moduswechsel durch kurzes Drücken der "LED-Licht-Taste" : 100% / 50% / 10% Dauerlich, SOS, Stroboskop und Aus.
3. Drücken und halten Sie die „LED-Licht-Taste“ für 2 Sekunden, um das LED-Licht zwangsweise auszuschalten; .

6. Lokithor das Gerät laden

Zubehör: Power-Adapter (PD2.0/PD3.0 Power adapter)

USB-C zu USB-C cable

USB-A zu USB-C cable

AC Ladekabel

Schließen Sie ein Ende des USB-Kabels an den Netzadapter und das andere Ende an den USB-C-Ladeanschluss des Produkts an. Das Leuchten der Batterieanzeige zeigt an, dass das Produkt normal aufgeladen wird.

Schließen Sie das Gerät mit dem AC-Ladekabel an das Stromnetz an. Das Licht des Anzeigers leuchtet auf und zeigt an, dass das Gerät normal geladen wird.

Wenn das Produkt nur wenig oder gar keinen Strom hat, laden Sie es umgehend auf, um eine niedrige Batteriespannung zu vermeiden.

Lassen Sie das Gerät Lokithor nicht über längere Zeit im entladenen Zustand. Dies kann dazu führen, dass das Gerät nicht mehr aufgeladen werden kann.

7. Die Verbindung mit der App über Bluetooth



1. Bitte scannen Sie den untenstehenden QR-Code, um die "Bat Test"-App herunterzuladen.
2. Öffnen Sie die "Bat Test"-App, wählen Sie den Gerätebereich aus und verbinden Sie das Produkt. Nach erfolgreicher Verbindung können Sie die Diagnosedaten einsehen. Wenn Sie die Testdaten ausdrucken möchten, exportieren Sie bitte zuerst die Datei.



8. Spracheinstellungen

Sie können zwischen fünf Sprachen wählen: Chinesisch, Englisch, Französisch, Deutsch, Spanisch.

9. Beschreibung der Fehlercode-Anzeige

NO.	Fehlercode	Beschreibung	Grund/Löschung
1	140	Hinweis das Gerät aufzuladen	Das Gerät laden
2	 150	Überhitzungsschutz	Abwarten bis das Gerät abkühlt
3	 160	Schutz vor niedrigen Temperatur	Verwenden Sie das Gerät in einer geeigneten Temperaturumgebung
4	200	Kommunikationsfehler	Das Gerät neu starten
5	430	External Batteriespannung übersteigt die Gerätspannung	① Überprüfen Sie, ob die Autobatterie eine 12V-Batterie ist. ② Das LokiThor Gerät laden
6	440	Polzange umgekehr angeschlossen	Batterie richtig anschließen
7	450	Jump-Starten Fehler	Richtigen Anschluß bestätigen. Lesen Sie bitte im Handbuch nach, um Zwangsstart zu verwenden.
8	320	Überlast-/Kurzschlusschutz	Überprüfen Sie die Lastverbindung, um sicherzustellen, dass sie ordnungsgemäß angeschlossen ist und innerhalb der Nennleistung verwendet wird.

Sicherheitshinweise

*** Das Gerät hat keine Teile, die vom Benutzer gewartet werden können, zerlegen Sie das Gerät nicht ohne Genehmigung des Herstellers. Jede Wartung sollte von professionellem Wartungspersonal durchgeführt werden.**

1. Wenn die Batteriekapazität >50 % beträgt, kann sie verwendet werden, um das Fahrzeug schnell zu starten. Eine ungenügende Kapazität in das Gerät ist möglicherweise nicht in der Lage, das Fahrzeug effizient zu starten.
2. Es ist normal, dass sich das Gerät nach der Aktivierung des Geräts etwas erwärmt.
3. Um die Lebensdauer des eingebauten Akkus zu maximieren, laden und entladen Sie das Gerät mindestens alle 3 Monate.
4. Wenn das Gerät undicht ist oder einen Geruch abgibt, verwenden Sie es nicht mehr und kontaktieren Sie uns sofort.
5. Verbinden Sie die rote Klemme nicht mit der schwarzen Klemme, dies könnte gefährlich sein.
6. Verwenden Sie nur die Originalklemmen; Wir können die Sicherheit bei der Verwendung anderer Geräte oder Klemmen, die an den LokiThor angeschlossen sind, nicht gewährleisten.
7. Von Feuer und Wasser fernhalten. Vermeiden Sie es, Sicherheitsunfälle zu verursachen;
8. Setzen Sie das Gerät weder bei Temperaturen über 60 °C noch in Sonnenlicht aus. Lagern Sie das Starthilfegerät an einem kühlen, trockenen Ort.
9. Zerlegen oder modifizieren Sie dieses Produkt nicht ohne Genehmigung des Herstellers.
10. Klopfen, drücken oder schütteln Sie das Gerät nicht, da dies zu Bränden, Explosionen und Verbrennungen führen kann.
11. Verwenden Sie keine chemischen Reinigungsmittel, um das Starthilfegerät zu reinigen.
12. Halten Sie dieses Produkt von Kindern fern;

Recycling Treatment

1. Entsorgen Sie es am Ende seiner Nutzungsdauer nicht mit dem anderen Hausmüll, um irreparable Schäden für die Umwelt oder den Menschen zu vermeiden.
2. Trennen Sie es von anderen Abfallarten und recyceln Sie es verantwortungsvoll, um den nachhaltigen Umgang mit materiellen Ressourcen zu fördern.

Warranty Policy

Für einen Zeitraum von zwölf (12) Monaten ab dem Kaufdatum durch den Benutzer gewähren wir eine eingeschränkte Garantie auf dieses Produkt gegen Material- und Verarbeitungsfehler unter den folgenden Bedingungen:

1. Der Käufer muss einen Empfangsnachweis (Angaben zur Bestellseite/Rechnung usw.) aus dem regulären Händlerkanal vorlegen, um die Garantie zu beantragen.
2. Die Garantie erstreckt sich nicht auf Schäden oder Ausfälle, die auf normale Abnutzung, physische Schäden, unsachgemäße Installation, Missbrauch, Modifikation oder Reparatur durch nicht autorisierte Dritte zurückzuführen sind.
3. Wir sind nicht verantwortlich für Verluste oder Schäden während des Transports durch Dritte oder aufgrund höherer Gewalt;
4. Wir sind nicht verantwortlich für zufällige oder Folgeschäden, die sich aus der Verwendung oder dem Missbrauch dieses Produkts ergeben;
5. Alle Gewährleistungsansprüche beschränken sich auf die Reparatur oder den Ersatz defekter Produkte und liegen in unserem alleinigen Ermessen;
6. Wenn wir ein Produkt reparieren oder ersetzen, ist das Produkt für den Rest der ursprünglichen Garantiezeit abgedeckt. Die Reparatur oder der Austausch kann die Verwendung von funktionsidentischen generalüberholten Geräten, zurückgegebenen Produkten oder Zubehör beinhalten, und wir behalten uns das Recht vor, zu entscheiden;
7. Verschleißteile wie Batterien sind nicht in der Garantie enthalten;
8. Garantiebestimmungen unterliegen der endgültigen Änderung und Auslegung durch den Händler.

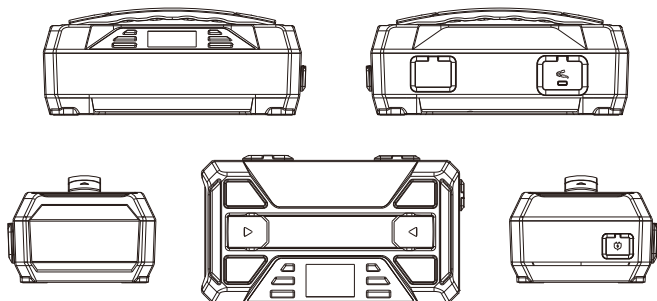
Contenu

Consignes de sécurité	22
Présentation du produit	23
Descriptions des boutons et d'écran	24
Instructions sur le processus de fonctionnement	26
1. Comment mettre LOkithor sous tension	26
2. Comment utiliser la fonction Jump-Start	26
2.1 Démarrage automatique 12 V	26
2.2 Démarrage forcé	26
2.3 Affichage de l'état de connexion des pinces	27
3. Comment utiliser la fonction de charge de la batterie	27
3.1 Mode de charge standard	27
3.2 Mode de charge forcée	27
3.3 Mode d'entretien	27
3.4 Mode d'alimentation numérique	27
4. Comment utiliser la fonction de test de batterie	27
4.1 Tests de batterie	27
4.2 Essais de démarrage	27
4.3 Tests de charge	28
5. Comment utiliser la fonction LED	28
6. Comment recharger Lokithor	28
7. Comment se connecter à l'APP via Bluetooth	28
8. Paramètres de langue	28
9. Description de l'affichage du code d'erreur	28
Avertissements	29
Informations sur le recyclage	29
Règlement de garantie	29

Veillez lire attentivement les instructions suivantes avant d'utiliser le démarreur d'urgence multifonction LOKITHOR (ci-après dénommé "démarreur") :

1. Suivez toutes les instructions de ce manuel pour une utilisation sûre de Lokithor. Ne pas suivre toutes les instructions de ce manuel ou une utilisation incorrecte des produits Lokithor peut entraîner des dommages matériels et/ou des blessures personnelles.
2. Lokithor est conçu pour démarrer des moteurs 12V et n'est pas destiné à démarrer des véhicules dépassant les spécifications du produit en termes de tension ou de cylindrée.
3. Avertissement : lorsque vous utilisez le mode FORCED START, toutes les fonctions de sécurité de Lokithor sont désactivées. Faites preuve d'une extrême prudence. N'autorisez pas les pinces à se toucher ou à court-circuiter lorsque vous utilisez le mode FORCED START. Lisez et comprenez toutes les procédures de sécurité avant d'utiliser le mode Force Start.
4. Pour une longévité optimale de votre produit Lokithor, nous recommandons un programme de maintenance trimestriel. Veuillez charger complètement votre nouveau produit Lokithor à la réception, puis inspecter tous les 3 mois le niveau de charge de l'appareil et le recharger si nécessaire. Vous pouvez également utiliser la fonction de batterie externe pendant cette période pour décharger la batterie à environ 50 %, puis recharger Lokithor complètement avant de le remettre dans votre véhicule. Cette bonne pratique garantira que Lokithor est toujours prêt pour la prochaine urgence.
5. N'utilisez pas un Lokithor endommagé. Si votre appareil a subi des dommages dus à un impact, s'il a été heurté, laissé tomber ou exposé à d'autres dommages physiques, ne l'utilisez pas. L'utilisation d'un Lokithor endommagé peut entraîner une situation dangereuse.
6. N'essayez pas d'utiliser Lokithor pendant qu'il est en charge.
7. Ne démontez pas le démarreur. Il n'y a pas de pièces réparables par l'utilisateur à l'intérieur.
8. Faites preuve d'une grande prudence lorsque vous travaillez autour des batteries de voiture et des démarreurs. Évitez de laisser tomber des objets métalliques sur les bornes de la batterie lors de l'utilisation de Lokithor. Tout objet métallique peut provoquer un court-circuit dangereux, entraînant des dommages matériels et/ou une explosion.
9. Lorsque vous démarrez un véhicule, assurez-vous que les pinces des câbles positif et négatif sont en bon contact avec les bornes positives et négatives de la batterie.
10. N'autorisez pas les étincelles et les flammes à entrer en contact avec le démarreur ou le moteur. Connectez toujours votre Lokithor à la batterie du véhicule avant de l'allumer ou de démarrer un véhicule.
11. Pour éviter que le court-circuit et les étincelles n'endommagent le démarreur, NE laissez PAS les pinces des câbles positif et négatif se toucher et NE connectez PAS les pinces au même morceau de métal (court-circuit).
12. Lokithor n'est pas destiné à être utilisé par des enfants. Ne laissez pas le démarreur à la portée des enfants.
13. Ne pas exposer Lokithor à la pluie ou à la neige.
14. Ne pas laisser Lokithor dans des environnements extrêmes pendant de longues périodes (chaleur extrême supérieure à 55 °C ou froid extrême inférieur à -10 °C, humidité supérieure à 80 %).
15. Lorsque vous ne l'utilisez pas, rangez Lokithor dans un endroit frais et sec.
16. Assurez-vous de suivre un bon programme de maintenance pour votre Lokithor : chargez-le en temps opportun après utilisation ou lorsqu'il est déchargé. Ne pas le faire peut entraîner une décharge excessive de la batterie interne ou une panne de courant prolongée, pouvant causer des dommages permanents au produit.

Présentation du produit



Spéifications

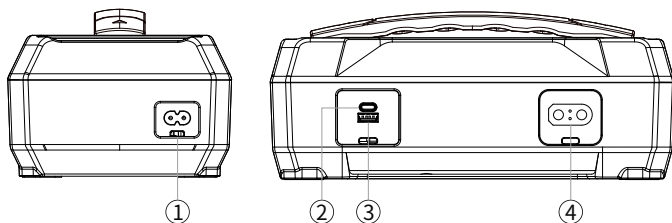
Modèle:	JTC4250	Chargeur de batterie	
Démarrreur de batterie		Entrée CA:	100-240V ~ 50/60HZ 2A Max
Tension nominale:	12.8V	Sortie de charge:	6V (6A), 12V ~ 15V (6A) Max 90W
Capacité:	7000mAh 89.6Wh (LiFePO4)	Chimies de la batterie:	Plomb-Acide et LiFePO4
Tension de démarrage:	12V	Types de batteries:	6V, 12V
Courant de démarrage:	3000A	Capacité de batterie de véhicule prise en charge:	Up to 120Ah
Peak Courant:	4250A	Température de fonctionnement du chargeur:	-10°C to 45°C (14°F to 113°F)
Température de charge:	0°C to 45°C (32°F to 113°F)	Détection de basse tension:	1V
Température de stockage:	-20°C to 50°C (-4°F to 122°F)	IP Rating:	IP65 (w/ Ports closed)
Température de fonctionnement:	-20°C to 60°C (-4°F to 140°F)	Autre	
Durée de vie:	>2000 cycles (dans des conditions optimales)	Sortie USB - A:	5V / 3A, 9V / 2A, 12V / 1.5A
Testeur de batterie 12V		Entrée et sortie USB - C:	5-20V / 3A (PD 60W)
Test de démarrage:	Supporté	Sortie BX80 (mode alimentation):	5-20V 0-6A, 90W Max (Alimentation secteur)
Test de charge:	Supporté		5-20V 0-5A, 60W Max (Battery Power)
Test de la batterie:	Supporté	Lumen LED:	300 lumens
Connexion Bluetooth:	Supporté	Dimensions (L x W x H):	264*146.2*109.5mm (10.39*5.76*4.31pouce)

Description des boutons



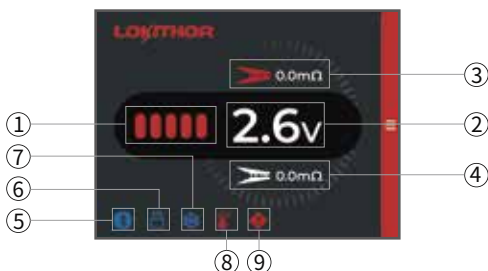
No	Description de la fonction	No	Description de la fonction
1	Bouton de mode d'éclairage	2	Bouton d'alimentation (Appuyez pour allumer et éteindre)
3	Haut	4	Bouton annuler
5	Bas	6	Bouton confirmer
7	Écran		

Instructions d'entrée/sortie



No	Description de la fonction	No	Description de la fonction
1	Port d'entrée CA	2	Port de charge et de décharge USB-C
3	Port de sortie USB-A	4	Port de sortie pour démarrage, charge de batterie et test de batterie BX80

Disposition de l'interface



No	Description de la fonction	No	Description de la fonction
1	Indicateur de batterie	2	Indicateur de tension
3	indicateurs de pince positive (Vert: Bonne connexion Rouge: Mauvaise connexion)	4	Indicateur de pince négative (Vert: Bonne connexion Rouge: Mauvaise connexion)
5	Indicateur bluetooth	6	Indicateur de type C
7	Indicateur de basse température	8	Indicateur de haute température
9	Indicateur d'erreur		

Liste de colisage

Physique du produit	Manuelle	Câble USB-A vers USB-C	Câble USB-C vers USB-C
Pincettes BX80 (Utilisées pour le démarrage, la charge de batterie et le test de batterie)		Câble d'alimentation (Le type de prise varie selon le pays ou la région)	

1. Comment mettre Lokithor sous tension

Il existe quatre façons de mettre l'appareil sous tension

- 1) Appuyez brièvement sur le « bouton Mode lumière » pendant 1 seconde
- 2) Appuyez brièvement sur le « bouton d'alimentation » pendant 1 seconde
- 3) Lorsque le port AC est connecté à l'alimentation
- 4) Lorsque le port TYPE C est connecté à l'alimentation



2. Utilisation de la fonction Jump Start

(Lorsque l'appareil est connecté à une alimentation CA, la fonction de démarrage ne peut pas être utilisée.)

2.1 Démarrage automatique 12 V

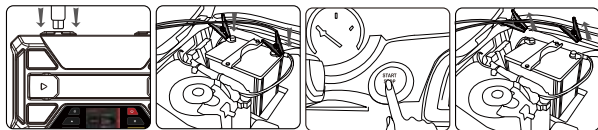
2.1.1 Appuyez brièvement sur le « bouton d'éclairage » ou le « bouton d'alimentation » pour allumer l'appareil. Connectez la pince de démarrage au port BX80 ;

2.1.3 Connectez les pinces positives et négatives aux bornes correspondantes de la batterie du véhicule, assurant une connexion sécurisée ;

2.1.4 Appuyez sur le bouton "Confirmer" pour accéder à l'interface de sélection du mode, choisissez le mode de démarrage, puis appuyez à nouveau sur le bouton "Confirmer" pour sélectionner le "Démarrage normal". L'écran affichera la batterie du véhicule en temps réel. Enfin, appuyez sur "Confirmer" pour entrer dans l'état de démarrage du démarreur et démarrer le véhicule.

2.1.5 Si le véhicule démarre avec succès, appuyez brièvement sur le bouton "Confirmer" pour quitter la fonction de démarrage, puis déconnectez les pinces de démarrage. Dans la plupart des cas, le véhicule pourra démarrer immédiatement après que le démarreur ait été connecté. Si le véhicule ne démarre pas immédiatement, vérifiez la position de contact des pinces de démarrage et réessayez. Ne tentez pas plus de cinq fois dans les 15 minutes.

2.1.6 Veuillez retirer les pinces de démarrage de la batterie de la voiture immédiatement après avoir terminé le démarrage. Appuyez sur le « bouton d'alimentation » pendant 2 secondes pour +eteindre le démarreur. S'il n'y a aucune opération pendant 60 secondes, le produit s'éteindra automatiquement ;



2.2 Démarrage force

(RAPPEL DE SÉCURITÉ : Lorsque vous utilisez le mode de démarrage forcé, le mécanisme de protection de sécurité est désactivé. Assurez-vous de connecter correctement les pôles positif et négatif. Le non-respect de cette consigne lors de l'utilisation du mode de démarrage forcé peut entraîner un court-circuit susceptible d'endommager le véhicule, Lokithor ou les deux. Veuillez lire attentivement et comprendre les instructions du manuel avant d'utiliser le mode de démarrage forcé. Faites preuve de prudence lors de l'activation et de l'utilisation du mode de démarrage forcé.)

Lorsque la fonction de démarrage automatique 12V échoue, vous pouvez utiliser la fonction de démarrage forcé en vous référant aux directives opérationnelles du manuel. Veuillez suivre strictement les étapes ci-dessous pour utiliser le démarrage forcé ; sinon, cette fonction risque de ne pas fonctionner correctement.

Étape 1 : Appuyez brièvement sur le "Bouton de lumière LED" ou le "Bouton d'alimentation" pour allumer l'appareil.

Étape 2 : Insérez la pince dans le port BX80 du produit.

Étape 3 : Connectez d'abord la borne positive de la pince à la borne positive de la batterie du véhicule.

Étape 4 : Appuyez sur le bouton "Confirmer" pour entrer dans l'interface de sélection de mode, puis sélectionnez le mode de démarrage. Appuyez ensuite à nouveau sur le bouton "Confirmer", choisissez le mode "Démarrage forcé", et appuyez sur le bouton "Confirmer" pour entrer en mode démarrage forcé. Assurez-vous que les bornes positive et négative ne soient pas court-circuitées pendant cette étape.

Étape 5 : Connectez la borne négative de la pince à la borne négative de la batterie du véhicule et assurez-vous d'une bonne connexion. À ce stade, l'écran affichera la tension du LOKITHOR en parallèle avec la batterie du véhicule, vous permettant de procéder au démarrage du véhicule.

Appuyez brièvement sur le "bouton Annuler" pour sortir.

2.3 Affichage de l'état de connexion des pinces de batterie (ConnectMax)

Lorsque la pince est connectée à la batterie du véhicule, l'écran affichera la valeur de la résistance interne entre la pince et la batterie du véhicule. Si le résultat de la résistance interne s'affiche en vert, cela indique une bonne connexion. Si le résultat de la résistance interne s'affiche en rouge, cela indique une mauvaise connexion. Veuillez réajuster la connexion entre la pince et la batterie du véhicule.

3. Comment utiliser la fonction de charge de la batterie

Ce mode permet de charger, de réparer et de fournir une sortie de tension continue (DC) pour différents types de batteries de véhicules.

3.1 Mode de charge standard

Connectez le câble de charge CA au produit, allumez le produit, sélectionnez le "Mode de charge", entrez dans le "Mode de charge standard" et choisissez l'un des cinq types de batteries : "12 V régulier, 12V AGM, Lithium-fer 12 V, 6V régulier, 6V AGM". Après avoir confirmé le type de batterie, réglez le courant de charge, puis appuyez sur le bouton "Confirmer" pour entrer dans le mode de charge standard.

Ce mode ne charge que les batteries dont la tension est supérieure à 1V. Si la tension de la batterie est inférieure à 1V, utilisez le "Mode de charge forcée".

3.2 Mode de charge forcée

(RAPPEL DE SÉCURITÉ : Lorsque vous utilisez le mode de démarrage forcé, le mécanisme de protection de sécurité est désactivé. Assurez-vous de connecter correctement les pôles positif et négatif. Le non-respect de cette consigne lors de l'utilisation du mode de démarrage forcé peut entraîner un court-circuit susceptible d'endommager le véhicule, Lokithor ou les deux. Veuillez lire attentivement et comprendre les instructions du manuel avant d'utiliser le mode de démarrage forcé. Faites preuve de prudence lors de l'activation et de l'utilisation du mode de démarrage forcé.)

Connectez le câble de charge CA au produit, réveillez le produit, appuyez sur le bouton "Confirmer" pour accéder à l'interface de sélection du mode, choisissez le "Mode de charge", puis sélectionnez le "Mode de charge forcée" pour entrer dans le mode de charge forcée.

Ce mode ne charge que les batteries dont la tension est inférieure à 1V et se désactive automatiquement après 5 minutes. Si la tension de la batterie est supérieure à 1V, utilisez le "Mode de charge standard".

3.3 Mode de maintenance

Connectez le câble de charge CA au produit, réveillez le produit, appuyez sur le bouton "Confirmer" pour accéder à l'interface de sélection du mode, choisissez le "Mode de charge", puis sélectionnez le "Mode de maintenance" pour entrer en mode de maintenance. En mode de réparation, le produit commence par charger la batterie, puis effectue une maintenance PULS continue de 4 heures après une charge complète.

Ce mode ne maintient que les batteries avec une tension supérieure à 1V. Si la tension de la batterie est inférieure à 1V, veuillez utiliser la "Mode de charge forcée" pour recharger la batterie.

3.4 Mode d'alimentation numérique

(RAPPEL DE SÉCURITÉ : Lorsque vous utilisez le mode de démarrage forcé, le mécanisme de protection de sécurité est désactivé. Assurez-vous de connecter correctement les pôles positif et négatif. Le non-respect de cette consigne lors de l'utilisation du mode de démarrage forcé peut entraîner un court-circuit susceptible d'endommager le véhicule, Lokithor ou les deux. Veuillez lire attentivement et comprendre les instructions du manuel avant d'utiliser le mode de démarrage forcé. Faites preuve de prudence lors de l'activation et de l'utilisation du mode de démarrage forcé.)

Méthode un (mode CA) :

Connectez le câble de charge CA à l'appareil, allumez l'appareil, appuyez sur le bouton "Confirmer" pour accéder à l'interface de sélection du mode, choisissez le "Mode de charge", puis sélectionnez le "Mode d'alimentation numérique" pour entrer en mode d'alimentation. Dans ce mode, la tension de sortie peut être ajustée de 5V à 20V, le courant jusqu'à 6A (90W MAX). Dans ce mode, si l'alimentation CA chute brusquement, l'appareil basculera automatiquement en méthode deux (mode CC), tandis que la tension de sortie restera la même qu'avant la chute de l'alimentation CA, avec une puissance maximale de 60W.

Méthode deux (sans entrée CA, c'est-à-dire mode CC) :

Appuyez brièvement sur le bouton "Lumière" ou "Power Button" pour allumer l'appareil, appuyez sur le bouton "Confirmer" pour accéder à l'interface de sélection du mode, choisissez le "Mode de charge", puis sélectionnez le "Mode d'alimentation" pour entrer en mode d'alimentation. Dans ce mode, la tension de sortie peut être ajustée de 5V à 20V, le courant jusqu'à 5A (60W MAX).

4. Comment utiliser la fonction de test de batterie

Ce mode permet de tester l'état des batteries de véhicules.

4.1 Test de batterie

Appuyez brièvement sur le bouton "Lumière" ou "Power Bouton" pour allumer le produit, appuyez sur le bouton "Confirmer" pour accéder à l'interface de sélection du mode, choisissez le "Mode de test de batterie", appuyez sur le bouton "Confirmer", puis entrez en mode "Test de batterie". Choisissez d'abord le type de batterie : "Plomb-acide ordinaire, AGM à plaques plates, AGM en spirale, GEL, EFB". Ensuite, choisissez la norme : "CCA, DIN, IEC, EN, SAE". Ajustez les paramètres (reportez-vous à l'étiquette de la batterie pour plus de détails) et appuyez sur le bouton « Confirmer » pour démarrer le test de la batterie.

4.2 Test de mise sous tension

appuyez brièvement sur le bouton "Lumière" ou "Power" pour allumer l'appareil, appuyez sur le bouton "Confirmer" pour accéder à l'interface de sélection de mode, choisissez "Mode test de batterie", appuyez sur le bouton "Confirmer", puis entrez Mode « Test de démarrage ».

4.3 Test de charge

Appuyez brièvement sur le bouton "LED" ou "Power" pour allumer l'appareil, puis appuyez sur le bouton "Confirmer" pour accéder à l'interface de sélection du mode. Choisissez le mode "Test de batterie", appuyez à nouveau sur "Confirmer", puis entrez en mode "Test de charge".

5. Comment utiliser la fonction LED



1. Appuyez longuement sur le bouton "LED" pendant 1 seconde pour allumer la lumière LED.
2. Faites défiler les modes en appuyant brièvement sur le bouton "LED" : 100 % / 50 % / 10 % en continu, SOS, stroboscope, éteint.
3. Maintenez le bouton "LED" enfoncé pendant 2 secondes pour éteindre la lumière LED.

6. Comment charger Lokithor

Adaptateur secteur (protocole PD2.0/PD3.0)

Câble USB-C vers USB-C

Câble USB-A vers USB-C

AC Câble de charge

Branchez une extrémité du câble USB à l'adaptateur secteur et l'autre extrémité au port de charge USB-C du produit. Le témoin de batterie s'allume, indiquant que le produit se charge normalement.

Connectez le produit au secteur à l'aide du câble de charge secteur. Le voyant d'alimentation à l'écran s'allumera, indiquant une charge normale.

Si le produit a une faible puissance ou est déchargé, rechargez-le rapidement pour éviter une tension de batterie trop basse.

Ne laissez pas Lokithor dans un état déchargé pendant de longues périodes, car cela pourrait empêcher sa recharge.

7. Comment se connecter à l'APP via Bluetooth



1. Veuillez scanner le code QR ci-dessous pour télécharger l'application "Bat Test".
2. Ouvrez l'application "Bat Test", sélectionnez la section des appareils et connectez le produit ; une fois connecté avec succès, vous pouvez consulter les données de diagnostic. Si vous avez besoin d'imprimer les données du test, veuillez d'abord exporter le fichier.



8. Paramètres de langue

Vous pouvez choisir parmi cinq langues : chinois, anglais, français, allemand et espagnol.

9. Instructions d'affichage du code d'erreur

NO.	Code d'erreur	Description	Cause/Solution
1	140	Rappel de charge	Charge Lokithor
2	 150	Protection contre la surchauffe	Attendez que le produit refroidisse
3	 160	Protection basse température	Utilisez le produit dans un environnement à température appropriée

4	200	Erreur de communication	Redémarrez l'appareil
5	430	La tension de la batterie externe dépasse la tension de l'appareil	① Vérifiez si la batterie de la voiture est une batterie de 12 V. ② Charger Lokithor
6	440	Pinces inversées	Connecter correctement la batterie
7	450	Échec du démarrage	après avoir confirmé la connexion correcte, veuillez vous référer au manuel pour utiliser le démarrage forcé
8	320	Protection contre la surcharge/ court-circuit	Vérifiez la connexion de la charge pour vous assurer qu'elle est correctement connectée et utilisée dans la plage de puissance nominale.

Avertissements

* Ne démontez pas l'appareil, car il ne contient aucune pièce réparable par l'utilisateur.

- Lokithor peut démarrer un véhicule lorsque sa capacité de batterie est supérieure à 50 %. Si l'état de charge est trop bas, Lokithor pourrait ne pas être en mesure de démarrer votre véhicule.
- Il est normal que l'appareil devienne légèrement chaud après utilisation.
- Pour maximiser la durée de vie de la batterie, rechargez l'appareil au moins une fois tous les trois mois.
- Si vous remarquez des fuites ou des odeurs inhabituelles, cessez d'utiliser l'appareil et contactez-nous immédiatement.
- Ne reliez pas la pince rouge à la pince noire. Cela crée un court-circuit dangereux.
- Utilisez uniquement les pinces de démarrage de marque Lokithor. Nous ne pouvons pas garantir la sécurité avec l'utilisation d'un autre appareil ou d'une autre pince connectée à Lokithor.
- N'exposez pas Lokithor au feu ou à l'eau, car cela pourrait créer une situation dangereuse.
- Ne laissez pas Lokithor à des températures supérieures à 60°C ou en plein soleil. Conservez-le dans un endroit frais et sec.
- Ne démontez ni ne modifiez Lokithor de quelque manière que ce soit.
- Ne laissez pas tomber ou écrasez Lokithor, car cela pourrait provoquer un incendie ou une explosion.
- N'utilisez pas de produits chimiques ou de solvants pour nettoyer Lokithor.
- Ce produit n'est pas destiné à être utilisé par des enfants. Tenez-le hors de portée des enfants.

Traitement du recyclage

- Ne jetez pas ce produit avec les déchets ménagers ordinaires lorsqu'il atteint la fin de sa durée de vie, car cela pourrait nuire à l'environnement ou à la santé humaine.
- Séparez-le des autres déchets et recyclez-le de manière responsable pour favoriser une utilisation durable des ressources.

Conditions de garantie

Nous offrons une garantie limitée sur le produit pendant 12 mois à compter de la date d'achat pour tout défaut de matériaux et de fabrication. Voici les conditions :

- L'acheteur doit fournir une preuve d'achat (détails incluant la date et le magasin sur la page de commande ou la facture, etc.).
- Cette garantie ne couvre pas les dommages ou les dysfonctionnements causés par l'usure normale, les dommages physiques au produit, une installation incorrecte, une utilisation abusive, des modifications ou des réparations non autorisées par des tiers.
- Le fabricant ne sera pas responsable des pertes ou des dommages causés en transit par un tiers ou en cas de force majeure.
- Le fabricant n'est pas responsable des dommages indirects ou consécutifs résultant de l'utilisation ou de la mauvaise utilisation de ce produit.
- Toutes les réclamations de garantie se limitent à la réparation ou au remplacement des produits défectueux et sont à notre seule discrétion.
- Si nous réparons ou remplaçons le produit, celui-ci sera couvert pour la durée restante de la période de garantie d'origine. Nous nous réservons le droit de réparer ou de remplacer des équipements, des produits ou des accessoires remis à neuf, qui peuvent impliquer l'utilisation des mêmes fonctions.
- Les pièces consommables, telles que les batteries, ne sont pas couvertes par la garantie.
- Le fabricant se réserve le droit de modifier et d'interpréter ces termes et conditions de garantie à sa propre discrétion.

Índice

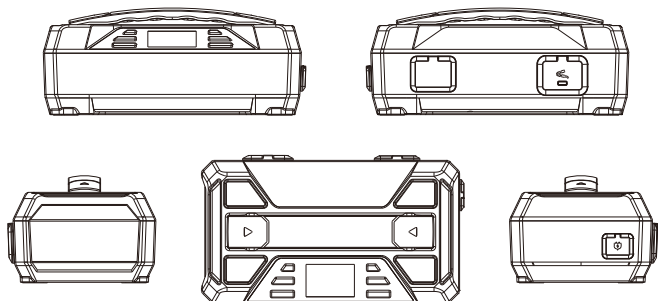
Instrucciones de seguridad	31
Resumen del producto	32
Introducción de botones	33
Instrucción del proceso de operación	35
1. Cómo despertar a Lokithor	35
2. Modo de arranque	35
2.1 Arranque común	35
2.2 Arranque obligatorio	35
2.3 Muestra del estado de conexión del clip	36
3. Modo de carga	36
3.1 Carga común	36
3.2 Carga obligatoria	36
3.3 Modo de reparación	36
3.4 Modo de alimentación	36
4. Modo de prueba	36
4.1 Prueba de batería	36
4.2 Prueba de arranque	37
4.3 Prueba de carga	37
5. Cómo usar la Luz LED	37
6. Cómo cargar Lokithor	37
7. Conectar a la aplicación (APP) de móvil	37
8. Configuración del idioma	37
9. Instrucciones de visualización de código de error	37
Precauciones	38
Desecho y reciclaje	38
Normas de garantía	38

Instrucciones de seguridad

*** Lea cuidadosamente las siguientes instrucciones y precauciones relacionadas antes de usar la fuente de alimentación de arranque de emergencia multifuncional (en adelante, fuente de alimentación de arranque):**

1. Por favor, siga estrictamente las instrucciones, y las operaciones ilegales pueden causar accidentes graves.
2. La fuente de alimentación de arranque solo se utiliza para el arranque de 12V, y no se pueden arrancar vehículos que superen el volumen de escape designado o la tensión especificada (12V).
3. Modo de arranque obligatorio: algunos mecanismos de protección de seguridad en este modo son inválidos y deben usarse con precaución. Debe evitar el cableado confundido de electrodo positivo y negativo, de lo contrario causará accidentes de cortocircuito. Antes de la operación, debe consultar las instrucciones de operación.
4. Para prolongar la vida útil de la batería del producto, cargue el producto al obtenerlo y cargue y descargue el equipo cada tres meses para asegurarse de las buenas condiciones de la fuente de alimentación de arranque para su próximo uso.
5. No use la fuente de alimentación de arranque dañada por impactos excesivos, caídas u otras formas.
6. Al cargar la fuente de alimentación de arranque, no la use para arrancar el vehículo.
7. No desmonte la fuente de alimentación de arranque sin autorización. Póngase en contacto con personal de mantenimiento profesional para reparar y tratar la fuente de alimentación de arranque anormal.
8. Se debe tener especial cuidado al operar para evitar que las herramientas metálicas caigan en la interfaz de alimentación de arranque (puede causar cortocircuitos, daños en el equipo, explosiones).
9. Al encender el automóvil, debe asegurar buenos contactos entre el electrodo positivo y negativo del clip de cable de la fuente de alimentación de arranque y el electrodo positivo y negativo de la batería.
10. Está prohibido que se acerquen a la fuente de alimentación de arranque y al motor con chispas y llamas.
11. Para evitar que las chispas causadas por cortocircuitos dañen la fuente de alimentación de arranque, está prohibido sujetar juntas el electrodo positivo y negativo del clip o que entren en contacto con el mismo metal.
12. No coloque la fuente de alimentación de arranque en un lugar al que los niños puedan acceder.
13. No exponga la fuente de alimentación de arranque bajo la lluvia o la nieve.
14. No coloque el equipo en un ambiente extremo durante mucho tiempo (por ejemplo, alta temperatura: > 131°F (55°C), temperatura baja extremadamente: < 14°F (-10°C), entorno húmedo: humedad >80%).
15. Coloque la fuente de alimentación de arranque en un lugar fresco y seco para almacenarla y tome medidas de protección si es necesario.
16. En caso de que el producto se quede sin batería o batería baja, cargue a tiempo para evitar que la batería tenga baja tensión eléctrica anormalmente. El estado de energía cero de la batería a largo plazo causará que el producto no se pueda cargar.

Resumen del producto



Especificaciones

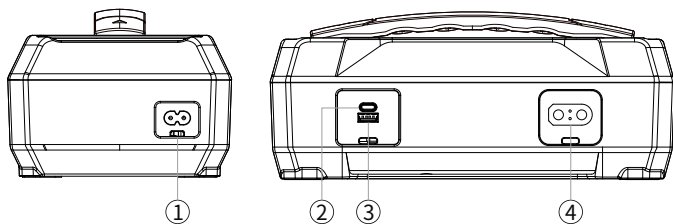
Modelo:	JTC4250	Cargador de batería	
Arrancador de batería		Entrada CA:	100-240V ~ 50/60HZ 2A Max
Voltaje nominal:	12.8V	Salida de carga:	6V (6A), 12V ~ 15V (6A) Max 90W
Capacidad:	7000mAh 89.6Wh (LiFePO4)	Químicas de batería:	Plomo-Ácido y LiFePO4
Voltaje de arranque:	12V	Battery Types:	6V, 12V
Corriente de arranque:	3000A	Capacidad de batería de vehículo admitida:	Up to 120Ah
Corriente pico:	4250A	Temperatura de funcionamiento del cargador:	-10°C to 45°C (14°F to 113°F)
Temperatura de carga:	0°C to 45°C (32°F to 113°F)	Detección de bajo voltaje:	1V
Temperatura de almacenamiento:	-20°C to 50°C (-4°F to 122°F)	Clasificación IP:	IP65 (w/ Ports closed)
Temperatura de funcionamiento:	-20°C to 60°C (-4°F to 140°F)	Otro	
Vida útil:	>2000 cycles (in good condition)	Salida USB - A:	5V / 3A, 9V / 2A, 12V / 1.5A
Probador de baterías de 12V		Entrada y salida USB - C:	5-20V / 3A (PD 60W)
Prueba de arranque:	Soportado	Salida BX80 (modo de fuente de alimentación):	5-20V 0-6A, 90W Máx (Alimentación de CA)
Prueba de carga:	Soportado		5-20V 0-5A, 60W Max (Battery Power)
Prueba de batería:	Soportado	Lúmenes LED:	300 lúmenes
Conexión Bluetooth:	Soportado	Dimensiones (L x W x H):	264*146.2*109.5mm (10.39*5.76*4.31pulgadas)

Introducción de botones



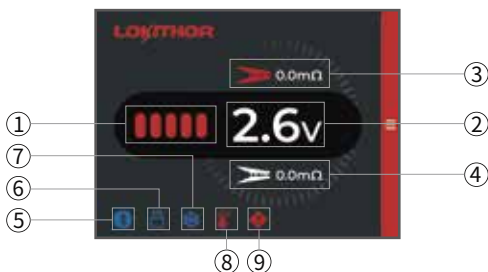
Número	Descripción de la función	Número	Descripción de la función
1	Botón de Enc./Apg. de la luz LED	2	Botón de encendido /apagado (mantener 1S presionando es para encender y 2S es para apagar)
3	Movimiento hacia arriba	4	Cancelar
5	Movimiento hacia abajo	6	Confirmación
7	Área de pantalla		

Descripción del puerto de entrada/salida



No	Descripción de la función	No	Descripción de la función
1	Puerto de entrada CA	2	Puerto de entrada y salida USB-C
3	Puerto de salida USB-A	4	Puerto de salida de arranque, carga de batería y prueba de batería BX80

Instrucciones de la pantalla de la interfaz principal



Número	Descripción de la función	Número	Descripción de la función
1	Indicación de energía de la batería interna	2	Indicación de tensión externa
3	La resistencia interna de contacto del clip positivo (Verde: Buena conexión Rojo: Mala conexión)	4	La resistencia interna de contacto del clip negativo (Verde: Buena conexión Rojo: Mala conexión)
5	Indicación de Bluetooth	6	Indicación de Type C
7	Indicación de temperatura baja	8	Indicación de temperatura alta
9	Indicación de erro		

Lista de embalaje

Unidad principal	Manual de Instrucciones	Cable USB-A a USB-C	Cable USB-C a USB-C
Pinza BX80 (Utilizada para el arranque, la carga de la batería y la prueba de la batería)		Cable de alimentación (El tipo de enchufe varía según el país o la región)	

1. Cómo despertar a Lokithor

Hay cuatro formas de despertar:

1. Presionar brevemente el "botón del encendido de la luz LED" durante 1 segundo
2. Presionar brevemente el "botón del encendido" durante 1 segundo
3. Conectar la fuente de alimentación de CA desde la entrada de CA
4. Conectar la fuente de alimentación desde el puerto TYPE C



2. Modo de arranque

(Cuando está conectado a la corriente alterna, la función de arranque no se puede utilizar.)

2.1 Arranque común

2.1.1 Presione brevemente el "botón de encendido de luz LED" o el "botón de encendido" para despertar el producto

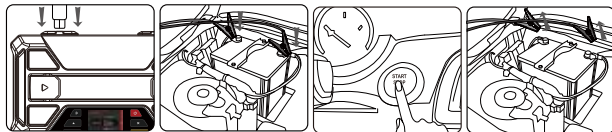
2.1.2 El clip de encendido se inserta en el puerto de arranque del producto BX80.

2.1.3 El electrodo positivo y el negativo del clip de encendido están conectados respectivamente al electrodo positivo y negativo de la batería del automóvil, y garantice la buena conexión.

2.1.4 Haga clic en el botón "confirmar" para entrar en la interfaz de selección de modos, seleccione el modo de arranque, luego haga clic en el botón "confirmar" nuevamente, seleccione "arranque común," y luego haga clic en el botón "confirmar" para entrar en el estado de encendido. La pantalla mostrará la batería del vehículo en tiempo real. En este momento se puede realizar la operación de arranque del automóvil.

2.1.5 Si el automóvil se enciende con éxito, presione brevemente el "botón de volver" para salir de la función de arranque y luego desconecte la conexión del clip de encendido. En general, el vehículo se activará con éxito inmediatamente después de la operación de arranque por primera vez, y algunos vehículos necesitan conectarse a la fuente de alimentación de emergencia 30 a 120s (en este momento, el producto repone la batería del automóvil) para arrancar. Si el vehículo no arranca de inmediato, espere 20 o 30s, luego vuelva a intentarlo pero no arranque más de 5 veces seguidas dentro de 15 minutos.

2.1.6 Después de usar el producto, retire el clip de encendido y presione el "botón de encendido" durante 2 segundos para apagarlo. Si no se opera este producto en 180 segundos, el producto se apagará automáticamente.



2.2 Arranque obligatorio

(Recordatorio de seguridad: en este modo, primero se debe activar la función de arranque obligatorio y luego conectar el clip de encendido a la batería del automóvil. Si el orden se invierte, no se puede encender la salida. Al mismo tiempo, algunos mecanismos de protección de Seguridad en este modo son inválidos y deben usarse con precaución. Debe evitar el cableado confundido de electrodo positivo y negativo, de lo contrario causará accidentes de cortocircuito. Antes de la operación, debe consultar las instrucciones de operación.)

Cuando la función de arranque automático de 12V falla, puede utilizar la función de arranque obligatorio consultando las directrices operativas del manual. Siga estrictamente los pasos a continuación para utilizar el arranque obligatorio; de lo contrario, esta función puede no funcionar correctamente.

Paso 1: Presione brevemente el "Botón de luz LED" o el "Botón de encendido" para encender el dispositivo.

Paso 2: Inserte la pinta en el puerto BX80 del producto.

Paso 3: Primero, conecte el terminal positivo de la pinta al terminal positivo de la batería del vehículo.

Paso 4: Presione el botón "Confirmar" para ingresar a la interfaz de selección de modo y seleccione el modo de arranque. Luego presione nuevamente el botón "Confirmar", elija el modo "Arranque obligatorio" y presione el botón "Confirmar" para ingresar al modo de arranque obligatorio. Asegúrese de que los terminales positivo y negativo no se cortocircuiten durante este paso.

Paso 5: Conecte el terminal negativo de la pinta al terminal negativo de la batería del vehículo y asegúrese de una buena conexión. En este punto, la pantalla mostrará el voltaje del LOKITHOR en paralelo con la batería del vehículo, permitiéndole proceder con la operación de arranque del coche.

Presione brevemente el "botón Cancelar" para salir.

2.3 Muestra del estado de conexión del clip (ConnectMax)

Cuando la pinza está conectada a la batería del vehículo, la pantalla mostrará el valor de la resistencia interna entre la pinza y la batería del vehículo. Si el resultado de la resistencia interna se muestra en verde, indica una buena conexión. Si el resultado de la resistencia interna se muestra en rojo, indica una mala conexión. Por favor, reajuste la conexión entre la pinza y la batería del vehículo.

3. Modo de carga

En este modo, se pueden cargar, reparar diferentes tipos de baterías automotrices y exportar tensión eléctrica de CC.

3.1 Carga común

Conecte el cable de carga CA al producto, después de despertar el producto, elija el "modo de carga" para entrar en el modo de "carga común". Se pueden elegir cinco tipos de batería, a saber, "12V regular, 12V AGM, 12V Hie. li, 6V regular, 6V AGM". Después de confirmar el tipo de batería, configure la corriente de carga y haga clic en el botón "confirmar" para entrar en el modo de carga común.

Este modo es aplicable para baterías de más de 1V, y si el voltaje de la batería es inferior a 1V, use el modo de "carga obligatoria" para cargar.

3.2 Carga obligatoria

(Recordatorio de seguridad: en este modo, primero se debe activar la función de arranque obligatorio y luego conectar el clip de encendido a la batería del automóvil. Si el orden se invierte, no se puede encender la salida. Al mismo tiempo, algunos mecanismos de protección de Seguridad en este modo son inválidos y deben usarse con precaución. Debe evitar el cableado confundido de electrodo positivo y negativo, de lo contrario causará accidentes de cortocircuito. Antes de la operación, debe consultar las instrucciones de operación.)

Conecte el cable de carga CA al producto, después de despertar el producto, haga clic en el botón de "confirmar" para entrar en la interfaz de selección de modos. Elija el "modo de carga" para entrar en el modo de "carga obligatoria". Este modo es aplicable para baterías con voltaje inferior a 1V, y solo se carga durante 5 minutos, luego se sale automáticamente del modo. Si el voltaje de la batería es superior a 1V, use el modo de "carga común" para cargar.

3.3 Modo de reparación

Conecte el cable de carga CA al producto, después de despertar el producto, haga clic en el botón de "confirmar" para entrar en la interfaz de selección de modos. Elija el "modo de carga" y luego el "modo de reparación" para entrar en el modo de "carga reparación". En el modo de reparación, el producto carga, primero, la batería, y después de la carga completa, se realizará una reparación por impulso durante 4 horas.

Este modo solo mantenimiento de baterías con un voltaje superior a 1V. Si el voltaje de la batería es inferior a 1V, utilice el "Carga obligatoria" para cargar la batería.

3.4 Modo de alimentación

(Recordatorio de seguridad: en este modo, primero se debe activar la función de arranque obligatorio y luego conectar el clip de encendido a la batería del automóvil. Si el orden se invierte, no se puede encender la salida. Al mismo tiempo, algunos mecanismos de protección de Seguridad en este modo son inválidos y deben usarse con precaución. Debe evitar el cableado confundido de electrodo positivo y negativo, de lo contrario causará accidentes de cortocircuito. Antes de la operación, debe consultar las instrucciones de operación.)

Modo 1 (con entrada de CA, es decir, modo CA):

Conecte el cable de carga CA al producto, después de despertar el producto, haga clic en el botón de "confirmar" para entrar en la interfaz de selección de modos.

Elija el "modo de carga" para entrar en el modo de "alimentación".

En este modo, la tensión eléctrica de salida es ajustable de 5V a 20V, la corriente es 6A al máximo y la potencia es 90W al máximo.

En este modo, cuando el CA se apaga repentinamente, el producto se transfiere automáticamente al modo CC del modo 2, mientras que la tensión eléctrica de salida mantiene el voltaje antes del apagado del CA, y la potencia se convierte en 60W al máximo.

Modo 2 (sin entrada de CA, es decir, modo CC):

Presione brevemente el "botón de encendido de luz LED" o el "botón de encendido", despierte el producto. Haga clic en el botón "confirmar" para entrar en la interfaz de selección de modos, seleccione "modo de carga" y luego, el "modo de alimentación" para entrar en el modo de alimentación.

En este modo, el voltaje de salida es ajustable de 5V a 20V, la corriente eléctrica es 5A al máximo y la potencia es 60W al máximo.

4. Modo de prueba

En este modo se puede probar el estado de la batería del automóvil.

4.1 Prueba de batería

Presione brevemente el "botón de encendido de luz LED" o el "botón de encendido" para despertar el producto, haga clic en el botón "confirmar" para entrar en la interfaz de selección de modos, seleccione el "modo de prueba", haga clic en el botón "confirmar" para entrar en el modo "prueba de batería". El primer paso es seleccionar el tipo de batería, que son "plomo ácido convencional, AGM Pad, AGM bobina, GEL, EFB". El segundo paso seleccionar los criterios, que son "CCA, DIN, IEC, EN, SAE". El tercer paso es configurar los parámetros (se puede consultar la etiqueta de la placa de identificación de la batería), y después de completar la configuración, haga clic en el botón "confirmar" para comenzar la prueba de la batería.

4.2 Prueba de arranque

Presione brevemente el "botón de encendido de luz LED" o el "botón de encendido" para despertar el producto, haga clic en el botón "confirmar" para entrar en la interfaz de selección de modos, seleccione "modo de prueba", haga clic en el botón "confirmar" para entrar en el modo "prueba de arranque".

4.3 Prueba de carga

Presione brevemente el "botón de encendido de luz LED" o el "botón de encendido" para despertar el producto, haga clic en el botón "confirmar" para entrar en la interfaz de selección de modos, seleccione "modo de prueba", haga clic en el botón "confirmar" para entrar en el modo "prueba de carga".

5. Cómo usar la Luz LED



1. Presione el "botón de encendido de luz LED" durante 1 segundo para encender la luz LED.
2. Presione el "botón de encendido de luz LED" breve y repetidamente para cambiar el modo: 100% / 50% / 10% (luz blanco e iluminación constante), SOS (blanco), flash (amarillo), cerrado.
3. Presione el "botón del encendido de la luz LED" manteniendo 2 segundos para apagar la Luz LED por fuerza.

6. Cómo cargar Lokithor

Preparación de herramientas: adaptador de alimentación (adaptadores de alimentación de protocolo PD2.0 / PD3.0), Cable de conexión USB-C a USB-C, Cable de conexión USB-A a USB-A, cable de carga CA
Conecte el extremo A del cable USB con el adaptador de alimentación y conecte el otro extremo C con el puerto de carga USB-C del producto. La iluminación de la luz marquee en la pantalla, significa que el producto se está cargando normalmente.

Conecte el producto a la electricidad con un cable de conexión CA, y la luz de marquee en la pantalla se enciende, lo que significa que el producto se está cargando normalmente.

En caso de que el producto se quede sin batería o batería baja, cargue a tiempo para evitar que la batería tenga baja tensión eléctrica anormalmente.

El estado de energía cero de la batería a largo plazo causará que el producto no se pueda cargar.

7. Conectar a la aplicación (APP) de móvil



1. Por favor, escanee el código QR a continuación para descargar la aplicación "Bat Test".
2. Abra la aplicación "Bat Test", seleccione la sección de dispositivos y conecte el producto; una vez conectado correctamente, podrá ver los datos de diagnóstico. Si necesita imprimir los datos de la prueba, primero exporte el archivo.



8. Configuración del idioma

Se pueden elegir cinco idiomas: chino, inglés, francés, alemán y español.

9. Instrucciones de visualización de código de error

NO.	Código de error	Descripción	Causa/Solución
1	140	Protección contra subtensiones	Conecte el cargador para cargar el producto
2	 150	Protección contra sobrecalentamiento	Esperar a que el equipo se enfríe
3	 160	Protección a temperatura baja	Use el producto en un entorno de temperatura adecuada
4	200	Comunicación anormal	Reiniciar el equipo

5	430	El voltaje de la batería externa es mayor que el voltaje del equipo	① Verifique si la batería del automóvil es de 12V ② Conecte el cargador para cargar el producto
6	440	Conexión confundida del clip de encendido	Conecte correctamente la batería
7	450	El arranque común está fallado	Después de confirmar la conexión correcta, consulte las instrucciones para arrancar manualmente
8	320	Protección contra sobrecarga/cortocircuito	Verifique la conexión de la carga para asegurarse de que esté correctamente conectada y utilizada dentro de la potencia nominal.

Precauciones

***El dispositivo no tiene piezas que el usuario pueda reparar. No desmonte la fuente de alimentación de arranque sin autorización. Cualquier reparación debe realizarse por personal de mantenimiento profesional.**

1. Debe confirmar el voltaje de la batería del vehículo y utilizarlo de acuerdo con el estado de voltaje del producto para evitar causar accidentes de seguridad;
2. Cuando la carga de la batería es superior a 50%, se puede utilizar para arrancar rápidamente el vehículo. La fuente de alimentación de arranque con carga insuficiente puede no arrancar el vehículo de manera efectiva;
3. Después de encender la fuente de alimentación, es normal que el cuerpo es un poco caliente;
4. Para maximizar la vida útil de la batería incorporada, cargue la fuente de alimentación de arranque al menos una vez cada 3 meses;
5. Si la fuente de alimentación de arranque tiene fugas o emite algún olor extraño, deje de usarla y contáctenos de inmediato;
6. No conecte el clip rojo a al negro, esto puede causar un peligro;
7. Utilice únicamente clips de encendido originales;
8. Manténgase alejado del fuego y el agua para evitar accidentes de seguridad;
9. Nunca coloque la fuente de alimentación de arranque en un ambiente superior a 60 °C ni la exponga al sol. Guarde la fuente de alimentación de arranque en un lugar fresco y seco;
10. No desmonte ni modifique este producto sin aprobación y autorización;
11. No golpee, presione ni agite violentamente la fuente de alimentación, de lo contrario podrá provocar incendio, explosión y quemaduras;
12. No utilice limpiadores químicos para limpiar la fuente de alimentación de arranque;
13. Mantenga este producto fuera del alcance de los niños;

Desecho y reciclaje

1. No lo desheche junto con otros residuos domésticos al final de su vida útil para evitar daños irreparables al medio ambiente o a las personas;
2. Separe el producto de otro tipo de residuos y reciclelo de manera responsable para promover el uso sostenible de los recursos materiales.

Normas de garantía

Dentro de los 12 meses a partir de la fecha de compra por parte del usuario, ofrecemos una garantía limitada para este producto contra cualquier defecto de materiales y mano de obra, con las siguientes condiciones:

1. El comprador debe proporcionar un comprobante de recepción de los canales legales del distribuidor (detalles de la página del pedido/factura, etc.) para solicitar el servicio posventa;
2. La garantía no cubre daños o mal funcionamiento causados por desgaste normal, daño físico, instalación inadecuada, mal uso, modificación o reparación por parte de terceros no autorizados;
3. No seremos responsables de ninguna pérdida o daño causado en el transporte por terceros o por fuerza mayor;
4. No somos responsables de ningún daño incidental o consecuente que surja del uso o mal uso de este producto;
5. Todos los reclamos de garantía se limitan a la reparación o reemplazo de productos defectuosos a nuestro exclusivo criterio;
6. Si reparamos o reemplazamos un producto, el producto estará cubierto por el resto del período de garantía original. La reparación o reemplazo puede implicar el uso de equipos reacondicionados con la misma funcionalidad, productos o accesorios devueltos, y nos reservamos el derecho de decidir;
7. Los consumibles, como las baterías, no están cubiertos por la garantía;
8. El derecho definitivo a cambiar e interpretar las normas de garantía pertenece al comerciante.

目录

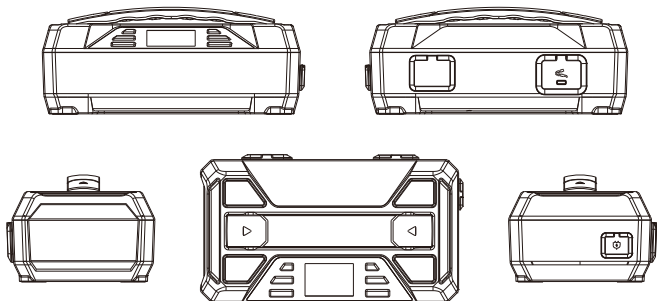
安全须知	40
产品概览	41
按键以及屏幕说明	42
操作流程说明	44
1. 如何唤醒产品	44
2. 启动模式	44
2.1 正常启动	44
2.2 手动启动	44
2.3 夹子连接状态显示	44
3. 充电模式	45
3.1 正常充电	45
3.2 强制充电	45
3.3 修复模式	45
3.4 电源模式	45
4. 测试模式	46
4.1 电池测试	46
4.2 启动测试	46
4.3 充电测试	46
5. 如何使用LED灯	45
6. 如何给产品充电	46
7. 连接手机APP	46
8. 语言设置	46
9. 错误代码显示说明	46
注意事项	46
处理回收	47
质保条例	47

安全须知

***请在使用多功能应急启动电源（简称启动电源）之前认真阅读以下说明书相关注意事项：**

1. 请严格按照说明书操作，违规操作可能导致严重安全事故；
2. 启动电源仅用于12V发动启动，不能启动超过指定排量或超过指定电压（12V）的车辆；
3. 手动启动模式：此模式下部分安全保护机制是失效的，需要谨慎使用，务必防止正负极短接，否则会导致短路事故，操作前必须查看说明书的操作说明；
4. 为延长产品内部电池使用寿命，请拿到产品后对产品进行充电，并每隔三个月对设备进行一次充放电，确保启动电源处于良好状态以备下次使用；
5. 请勿使用受到过猛撞击，跌落或者其他形式受损的启动电源；
6. 启动电源充电时，请勿使用启动电源启动车辆；
7. 请勿擅自拆卸启动电源，请联系专业维修人员进行维修处理异常的启动电源；
8. 操作时需格外谨慎，避免金属工具掉落在启动电源接口处（易引起短路，造成设备损坏，爆炸）；
9. 汽车点火时，确保启动电源的电缆夹正负极与蓄电池正负极接触良好；
10. 禁止火花、火焰靠近启动电源及发动机；
11. 为了防止短路产生火花损坏启动电源，禁止将夹子正负极夹在一起或者接触到同一金属；
12. 请勿将启动电源放置在小孩易触碰处；
13. 请勿将启动电源暴露在雨雪中；
14. 请勿将设备长时间放置于极端环境中（如高温：>131°F（55°C）、极寒：<14°F（-10°C）、潮湿：湿度>80%）；
15. 请将启动电源放置于阴凉干燥处存放，并在必要时采取防护措施；
16. 产品电量耗尽或是在低电量的情况下，请及时充电，防止电池欠压异常，长期零电量状态可能会导致产品无法充电。

产品概览



产品规格

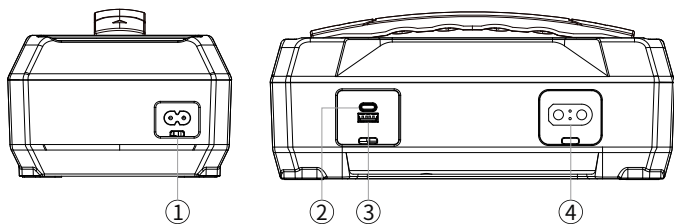
型号:	JTC4250	电瓶充电功能	
应急启动功能		AC输入:	100-240V ~ 50/60HZ 2A Max
产品电压:	12.8V	充电输出:	6V (6A), 12V ~ 15V (6A) Max 90W
容量:	7000mAh 89.6Wh (LiFePO4)	可支持充电 电瓶类型:	铅酸电池 & 铁锂电池
启动电压:	12V	可支持充电 电瓶电压:	6V, 12V
启动电流:	3000A	可正常充电 电瓶容量:	最高可充120Ah电池
峰值电流:	4250A	充电器操作 环境温度:	-10°C to 45°C (14°F to 113°F)
充电温度:	0°C to 45°C (32°F to 113°F)	最低可支持充电 电瓶电压:	1V
储存温度:	-20°C to 50°C (-4°F to 122°F)	IP等级:	IP65 (w/ Ports closed)
工作温度:	-20°C to 60°C (-4°F to 140°F)	其他常规功能	
循环寿命:	>2000次 (在良好的使用条件下)	USB - A 输出:	5V / 3A, 9V / 2A, 12V / 1.5A
12V 电瓶测试功能		USB - C 输入 & 输出:	5-20V / 3A (PD 60W)
启动测试:	支持	BX80 输出 (电源模式下):	5-20V 0-6A, 90W Max (AC电源)
充电测试:	支持		5-20V 0-5A, 60W Max (电池电源)
电池测试:	支持	LED 照明:	300 lumens
蓝牙链接:	支持	尺寸(长*宽*高):	264*146.2*109.5mm (10.39*5.76*4.31inch)

按键介绍



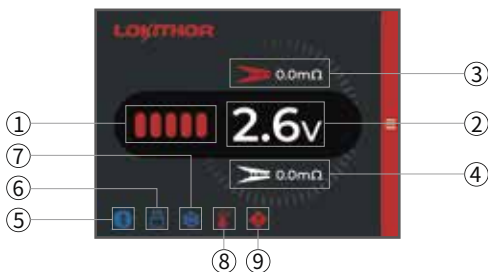
编号	功能描述	编号	功能描述
1	LED灯开关按键	2	开机按键（短按1S开机，长按2S关机）
3	向上移动	4	取消
5	向下移动	6	确定
7	屏显区域		

输入\输出口说明



编号	功能描述	编号	功能描述
1	AC 输入口	2	TYPE-C 充电放电口
3	USB-A 放电口	4	BX80点火口/对外放电口/诊断口

主界面屏幕说明



编号	功能描述	编号	功能描述
1	内部电池电量指示	2	外部电压指示
3	正夹子接触内阻 (绿色: 连接良好 红色: 连接不良)	4	负夹子接触内阻 (绿色: 连接良好 红色: 连接不良)
5	蓝牙指示	6	Type C 指示
7	低温指示	8	高温指示
9	错误指示		

包装清单

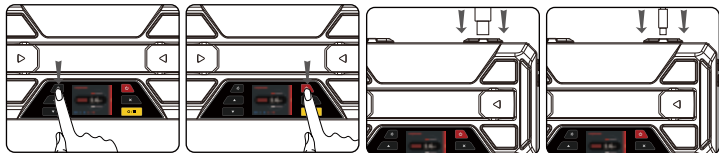
主机	说明书	USB - A To USB - C Wire	USB - C To USB - C Wire
BX80夹子 (点火和诊断功能共用)		电源线 (澳规、美规等)	

操作流程说明

1. 如何唤醒产品

一共有4种唤醒方式：

1. 短按“LED灯开关按键”1秒钟
2. 短按“开关按键”1秒钟
3. 从AC输入口插入AC电源
4. 从TYPE C口插入电源

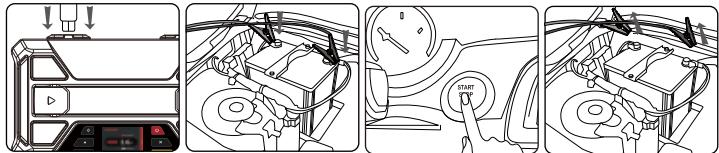


2. 启动模式

(当产品接AC电源的时候，无法使用启动功能)

2.1 正常启动

- 2.1.1 短按“LED灯开关按键”或者“开关按键”，唤醒产品
- 2.1.2 点火夹插入产品BX80启动口；
- 2.1.3 点火夹的正极与负极分别与汽车蓄电池的正负极连接，并确保连接良好；
- 2.1.4 点击“确认”键进入模式选择界面，选择启动模式，然后点击“确认”键，此时屏幕会实时显示汽车电瓶的实时电压。选择“正常启动”，再点击“确认”键进入点火状态，此时即可进行汽车启动操作；
- 2.1.5 若汽车启动成功，短按“返回键”退出启动功能，再断开点火夹连接；在大多数情况下，车辆将在首次启动操作时立即开启成功，某些车辆可能需要连接应急电源30~120S（此时产品对汽车蓄电池补电）才能进行启动操作，如果车辆没有立即启动，请等待20~30S，然后重试，15分钟内连续启动不超过5次；
- 2.1.6 产品使用完毕后，取下点火夹，长按“开关按键”2S关机，若产品180S无操作，产品自动关机；



2.2 手动启动

(安全提醒：此模式下防火花功能和部分安全保护机制是失效的，需要谨慎使用，务必防止正负极短接，否则会导致短路事故，操作前必需查看操作说明)

当自动启动功能失败，可以在查看说明书的操作规范后，使用手动应急启动功能，请严格按照如下步骤使用手动应急启动，否则此功能无法正常使用

- 第一步：短按“LED灯开关按键”或者“开关按键”，唤醒产品；
 - 第二步：点火夹插入产品的BX80启动口；
 - 第三步：先将点火夹正极与汽车电瓶正极连接；
 - 第四步：点击“确认”键进入模式选择界面，选择启动模式；
- 然后点击“确认”键，选择“手动启动”模式，点击确认键进入点火状态，此时务必防止正负极短接；
- 第五步：把点火夹的负极与汽车电瓶的负极连接，并确保连接良好。此时屏幕显示启动电源与汽车并联后的正负极电压，即可进行汽车启动操作；
- 短按“返回键”，即可退出。

2.3 夹子连接状态显示 (ConnectMax)

点火夹与汽车蓄电池连接后，会显示点火夹与蓄电池之间连接内阻值，当数值显示为绿色，表示连接良好；当数值显示红色，表示未正常连接，重新调整点火夹与蓄电池连接方式。

3. 充电模式

此模式下可对不同类型汽车蓄电池进行充电、修复操作以及输出直流电压。

3.1 正常充电

连接AC充电线至产品，唤醒产品后选择“充电模式”，进入“正常充电”模式，可选五种电池类型，分别为“12V常规、12V AGM、12V铁锂-4S、6V常规、6V AGM”，电池类型确认后设置充电电流，设置完成后点击“确认”键，进入正常充电模式。该模式只对1V以上的电池进行充电，如果电池电压小于1V，请使用“强制充电”模式进行充电。

3.2 强制充电

(安全提醒：此模式下防火花功能和部分安全保护机制是失效的，确保在进入模式前完成正确连接，否则有火花、短路等风险)
连接AC充电线至产品，唤醒产品后点击“确认”键进入模式选择界面，选择“充电模式”，选择“强充充电”，进入强制充电模式。该模式只对1V以下的电池进行充电，并且只充电5分钟，然后自动退出该模式；如果电池电压大于1V，请使用“正常充电”模式进行充电。

3.3 修复模式

连接AC充电线至产品，唤醒产品后点击“确认”键进入模式选择界面，选择“充电模式”，再选择“修复模式”，进入修复模式。使用修复模式时，产品先对电池进行充电，然后充满后再对电池进行持续4小时的脉冲修复。该模式只对1V以上的电池进行修复，如果电池电压小于1V，请使用“强制充电”进行充电

3.4 电源模式

(安全提醒：此模式下防火花功能和部分安全保护机制是失效的，确保在进入模式前完成正确连接，否则有火花、短路等风险)
方式一（有AC输入，即AC模式）：
连接AC充电线至产品，唤醒产品后，点击“确认”键进入模式选择界面，选择“充电模式”，再选择“电源模式”，进入电源模式。此模式下可调节输出电压为5V-20V，电流为6A MAX，功率为90W MAX；
在此模式下，当AC突然掉电后，产品会自动转入方式二的DC模式，同时输出电压保持AC掉电前的电压，功率变成60W MAX。
方式二（无AC输入，即DC模式）：
短按“LED灯开关按键”或者“开关按键”，唤醒产品，点击“确认”键进入模式选择界面，选择“充电模式”，再选择“电源模式”，进入电源模式。
此模式下可调节输出电压为5V-20V，电流为5A MAX，功率为60W MAX；

4. 测试模式

此模式下可测试汽车蓄电池状态。

4.1 电池测试

短按“LED灯开关按键”或者“开关按键”唤醒产品，点击“确认”键进入模式选择界面，选择“测试模式”，单击“确认”键，进入“电池测试”模式。第一步选择电池类型，分别为“铅酸常规、AGM平板、AGM卷绕、GEL、EFB”；第二步选择标准，分别为“CCA、DIN、IEC、EN、SAE”；第三步设置参数（可查看蓄电池铭牌标示），设置完成后点击“确认”键，开始电池测试。

4.2 启动测试

短按“LED灯开关按键”或者“开关按键”唤醒产品，点击“确认”键进入模式选择界面，选择“测试模式”，单击“确认”键，进入“启动测试”模式。

4.3 充电测试

短按“LED灯开关按键”或者“开关按键”唤醒产品，点击“确认”键进入模式选择界面，选择“测试模式”，单击“确认”键，进入“充电测试”模式。

5. 如何使用LED灯



1. 长按1S“LED灯开关按键”，LED灯亮起；
2. 循环短按“LED灯开关按键”，可切换模式：100%/50%/10%(白色长亮)、SOS（白色）、频闪(黄色)、关闭；
3. 长按“LED灯开关按键”按键2S，可强制关闭LED灯；

6. 如何给产品充电

工具准备：电源适配器（PD2.0/PD3.0协议电源适配器）、USB-C To USB-C连接线、USB-A to USB-C 连接线；AC充电线
USB线的一端A口接电源适配器，另一端C口接产品的USB-C充电口，屏幕的跑马灯亮起，说明产品在正常充电。
将产品用AC连接线连接至市电，屏幕的跑马灯亮起，说明产品在正常充电。
产品电量耗尽或是在低电量的情况下，请及时充电，防止电池欠压异常。
长期零电量状态可能会导致产品无法充电。

7. 连接手机APP

1. 请扫描下方二维码，下载“Bat Test”应用程序。
2. 打开“Bat Test”应用程序，选择设备栏，连接产品；连接成功后可查看诊断数据，如需打印测试数据，请先导出文件。



8. 语言设置

可选择汉语、英语、法语、德语、西班牙语五种语言。

9. 错误代码显示说明

NO.	错误代码	说明	原因/解决
1	140	欠压保护	连接充电器，给产品充电
2	 150	过温保护	等待设备冷却
3	 160	低温保护	将产品放置在合适温度环境使用
4	200	通讯异常	重新启动设备
5	430	外部电瓶电压大于设备电压	电瓶电压正常或者错误连接24V电瓶
6	440	点火夹反接	正确连接蓄电池
7	450	正常启动失败	请确认正确连接后，参考说明书使用手动启动
8	320	过载保护/短路保护	请检查负载连接情况，确保负载连接正常且在额定功率下使用

注意事项

*设备没有用户可维修部分，不要擅自拆卸启动电源，任何维修应由专业维修人员进行处理。

1. 必须确认使用车辆的电瓶电压，对应产品电压状态使用，避免导致安全事故；
2. 当电池容量>50%时，可用于快速启动车辆，电量不足的启动电源可能无法有效的启动车辆；
3. 启动电源启动后，机体有些发热是正常现象；
4. 为了最大限度的延长内置电池使用寿命，请每3个月至少对启动电源充电一次；
5. 如果启动电源泄露或散发任何异味，请停止使用并立即与我们联系；
6. 请勿将红色夹钳连接到黑色夹钳，这可能会导致危险；
7. 请仅使用原配的点火夹；
8. 请远离火源和水，避免导致安全事故；
9. 切勿将启动电源置于60°C以上的环境中或是暴晒在阳光下；请将启动电源存放在阴凉干燥的地方；
10. 未经批准授权，请勿拆卸或改装本产品；
11. 请勿猛烈敲打、强压或摇晃启动电源，否则可能引起火灾，爆炸和燃烧；
12. 请勿使用化学清洁剂清洁启动电源；
13. 请将本产品远离儿童；

处理回收

1. 请勿在使用寿命结束时将其与其他生活垃圾一起处理，防止对环境或人类造成不可挽回的伤害；
2. 请将其与其他类型的废物分开，并以负责任的方式进行回收，以促进物质资源的可持续利用。

质保条例

自用户购买之日起12个月内，针对材料和工艺上的任何缺陷，我们为该产品提供有限质保，条件如下：

1. 须由购买者提供正规经销商渠道的收据证明（订单页面详细/发票等）申请售后；
2. 质保不包括因正常磨损、物理损坏、安装不当、误用、修改或未经授权第三方的维修而造成的损坏或故障；
3. 在第三方运输途中或由于不可抗力造成的任何损失或损坏，我们不承担责任；
4. 对于因使用或误用本产品而引致的任何附带或间接的损害，我们概不负责；
5. 所有质保申报仅限于维修或替代有缺陷的产品，并由我方全权决定；
6. 如果我们维修或更换产品，产品将覆盖原保修期的剩余时间，修理或更换可能涉及使用功能相同的经过翻新的设备，退换的产品或配件，我方保留决定权；
7. 电池等消耗性部件不包括在保修范围内；
8. 质保条例最终更改及解释权归商家所有。

Grepow Inc.
290 Lindbergh Ave
Livermore, CA 94551
United State

Genspow GmbH
Ottostr.11
41352 Korschenbroich
Germany

service@lokithor.net

WWW.LOKITHOR.NET



